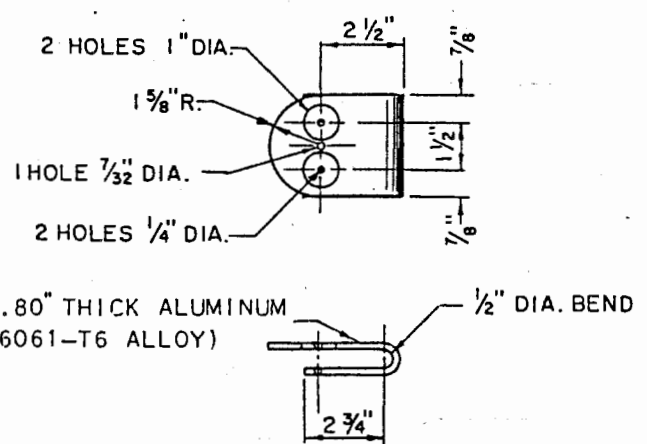


**SECTION A-A**



**REAR MOUNT BRACKET**

**NOTES:**

1. CLEARANCE MARKER (W-60R) THREE 3 1/4" YELLOW CENTERMOUNT REFLECTORS.
2. GUIDE MARKERS ONE 3 1/4" WHITE CENTERMOUNT REFLECTOR.
3. REAR MOUNT REFLECTOR BRACKET SHALL BE USED ON CURVES. BRACKET SHALL BE ATTACHED WITH 3/16" BLIND ALUMINUM RIVETS AND USED TO MOUNT A 3" WHITE REFLECTOR.
4. ALL MATERIALS SHALL CONFORM TO STATE OF CALIFORNIA, STANDARD SPECIFICATIONS
5. HOLE DIAMETERS APPLY TO DIMENSION AFTER ITEM IS PAINTED.

<b>SAN BERNARDINO COUNTY ROAD DEPARTMENT</b>		<b>MARKERS</b>	<b>304 A</b>
DATE: F.V.C. 7-65 RJO 8-89	<b>KEN A. MILLER</b> DIRECTOR OF TRANSPORTATION		