

~~PRELIMINARY~~

# Water Quality Management Plan

For:

## EAGLE RIDGE MARKET

A.P.N. 0315-231-17; PROJECT NO. P201300086

Prepared for:

**MUNEM MIADA**

13302 Ranchero Road

Oak Hills, CA 92344

760-964-7936

Prepared by:

**JERRY L. MILES, P.E.**

P.O. BOX 1861

APPLE VALLEY, CA 92307

760-488-2504

Approval Date: \_\_\_\_\_

Preliminary WQMP is acceptable with stipulation of an additional chamber to accommodate the required volume.

Verify and Revise Calculations  
Provide Manufacturers excel spreadsheet for proper sizing and area requirements.

Provide all details requested on exhibit.

Redlines throughout.

Resubmit redlines with revised Final WQMP.

**Water Quality Management Plan (WQMP)**

**Project Owner's Certification**

This Water Quality Management Plan (WQMP) has been prepared for Munem Miada by Jerry L. Miles, P.E. The WQMP is intended to comply with the requirements of the San Bernardino County and the NPDES Areawide Stormwater Program requiring the preparation of a WQMP. The undersigned, while it owns the subject property, is responsible for the implementation of the provisions of this plan and will ensure that this plan is amended as appropriate to reflect up-to-date conditions on the site consistent with San Bernardino County's Municipal Storm Water Management Program and the intent of the NPDES Permit for San Bernardino County and the incorporated cities of San Bernardino County within the Santa Ana Region. Once the undersigned transfers its interest in the property, its successors in interest and the city/county shall be notified of the transfer. The new owner will be informed of its responsibility under this WQMP. A copy of the approved WQMP shall be available on the subject site in perpetuity.

"I certify under a penalty of law that the provisions (implementation, operation, maintenance, and funding) of the WQMP have been accepted and that the plan will be transferred to future successors."

Project Data			
Permit/Application Number(s):	P201300086	Grading Permit Number(s):	
Tract/Parcel Map Number(s):		Building Permit Number(s):	
CUP, SUP, and/or APN (Specify Lot Numbers if Portions of Tract):			A.P.N. 0315-231-17
Owner's Signature			
<b>Owner Name:</b> Munem Maida and Maida Maida			
Title	Owners		
Company			
Address	13302 Ranchero Road, Oak Hills, CA 92344		
Email	maida5150@gmail.com		
Telephone #	760-964-7936		
Signature		Date	

### Preparer's Certification

Project Data			
Permit/Application Number(s):	P201300086	Grading Permit Number(s):	
Tract/Parcel Map Number(s):		Building Permit Number(s):	
CUP, SUP, and/or APN (Specify Lot Numbers if Portions of Tract):			A.P.N. 0315-231-17

"The selection, sizing and design of stormwater treatment and other stormwater quality and quantity control measures in this plan were prepared under my oversight and meet the requirements of Regional Water Quality Control Board Order No. R8-2010-0036."

Stamp required

<b>Engineer:</b> JERRY L. MILES		PE Stamp Below
Title	OWNER/PRINCIPAL	
Company	JERRY L. MILES, P.E.	
Address	P.O. BOX 1861, APPLE VALLEY, CA 92307	
Email	jerrylm59@aol.com	
Telephone #	760-488-2504	
Signature		
Date		



Signature required.

# Table of Contents

<b>Section 1 Discretionary Permits</b> .....	<b>1-1</b>
<b>Section 2 Project Description</b> .....	<b>2-1</b>
2.1 Project Information.....	2-1
2.2 Property Ownership / Management .....	2-2
2.3 Potential Stormwater Pollutants .....	2-3
2.4 Water Quality Credits .....	2-4
<b>Section 3 Site and Watershed Description</b> .....	<b>3-1</b>
<b>Section 4 Best Management Practices</b> .....	<b>4-1</b>
4.1 Source Control BMP .....	4-1
4.1.1 Pollution Prevention .....	4-1
4.1.2 Preventative LID Site Design Practices .....	4-6
4.2 Project Performance Criteria.....	4-7
4.3 Project Conformance Analysis.....	4-12
4.3.1 Site Design Hydrologic Source Control BMP .....	4-14
4.3.2 Infiltration BMP .....	4-16
4.3.3 Harvest and Use BMP .....	4-18
4.3.4 Biotreatment BMP.....	4-19
4.3.5 Conformance Summary.....	4-23
4.3.6 Hydromodification Control BMP .....	4-24
4.4 Alternative Compliance Plan (if applicable).....	4-25
<b>Section 5 Inspection &amp; Maintenance Responsibility Post Construction BMPs</b> .....	<b>5-1</b>
<b>Section 6 Site Plan and Drainage Plan</b> .....	<b>6-1</b>
6.1. Site Plan and Drainage Plan.....	6-1
6.2 Electronic Data Submittal .....	6-1

# Forms

Form 1-1 Project Information .....	1-1
Form 2.1-1 Description of Proposed Project .....	2-1
Form 2.2-1 Property Ownership/Management.....	2-2
Form 2.3-1 Pollutants of Concern .....	2-3
Form 2.4-1 Water Quality Credits .....	2-4
Form 3-1 Site Location and Hydrologic Features .....	3-1
Form 3-2 Hydrologic Characteristics.....	3-2
Form 3-3 Watershed Description.....	3-3
Form 4.1-1 Non-Structural Source Control BMP.....	4-2
Form 4.1-2 Structural Source Control BMP .....	4-4
Form 4.1-3 Site Design Practices Checklist.....	4-6
Form 4.2-1 LID BMP Performance Criteria for Design Capture Volume .....	4-7
Form 4.2-2 Summary of HCOC Assessment.....	4-8
Form 4.2-3 HCOC Assessment for Runoff Volume .....	4-9

**Water Quality Management Plan (WQMP)**

---

<b>Form 4.2-4 HCOC Assessment for Time of Concentration .....</b>	<b>4-10</b>
<b>Form 4.2-5 HCOC Assessment for Peak Runoff.....</b>	<b>4-11</b>
<b>Form 4.3-1 Infiltration BMP Feasibility .....</b>	<b>4-13</b>
<b>Form 4.3-2 Site Design Hydrologic Source Control BMP .....</b>	<b>4-14</b>
<b>Form 4.3-3 Infiltration LID BMP.....</b>	<b>4-17</b>
<b>Form 4.3-4 Harvest and Use BMP .....</b>	<b>4-18</b>
<b>Form 4.3-5 Selection and Evaluation of Biotreatment BMP .....</b>	<b>4-19</b>
<b>Form 4.3-6 Volume Based Biotreatment – Bioretention and Planter Boxes w/Underdrains</b>	<b>4-20</b>
<b>Form 4.3-7 Volume Based Biotreatment- Constructed Wetlands and Extended Detention</b>	<b>4-21</b>
<b>Form 4.3-8 Flow Based Biotreatment .....</b>	<b>4-22</b>
<b>Form 4.3-9 Conformance Summary and Alternative Compliance Volume Estimate .....</b>	<b>4-23</b>
<b>Form 4.3-10 Hydromodification Control BMP .....</b>	<b>4-24</b>
<b>Form 5-1 BMP Inspection and Maintenance .....</b>	<b>5-1</b>

## Section 1 Discretionary Permit(s)

Form 1-1 Project Information					
Project Name		EAGLE RIDGE MARKET			
Project Owner Contact Name:		Munem Miada			
Mailing Address:	13302 Ranchero Road Oak Hills, CA 92344	E-mail Address:	None	Telephone:	760-964-7936
Permit/Application Number(s):	P201300086	Tract/Parcel Map Number(s):			
Additional Information/Comments:					
Description of Project:	Construct a retail gasoline outlet with 7,715 s.f. convenience store and upper level residence (actual building footprint is 5,641 s.f.). Construct a 20'X29' (580 s.f.) roof cover for a trash enclosure and caretakers parking space. Install approximately 30,500 s.f. of impervious surface, with 27 parking stalls (1 space covered as noted above) and one (1) loading zone consisting of 4,857 s.f. driveways and sidewalks. Landscape area will consist of 9,532 s.f. of pervious surface. The impervious surface area is 75.7% of the lot total and landscape (pervious) area is 24.3% of the lot total.				
Provide summary of Conceptual WQMP conditions (if previously submitted and approved). Attach complete copy.	A WQMP shall be completed, approved and inspected. The property owner is required to provide periodic and continuous maintenance of all BMP's. The County has the right to require the owner to maintain all the BMP's.				

## Section 2 Project Description

### 2.1 Project Information

This section of the WQMP should provide the information listed below. The information provided for Conceptual/ Preliminary WQMP should give sufficient detail to identify the major proposed site design and LID BMPs and other anticipated water quality features that impact site planning. Final Project WQMP must specifically identify all BMP incorporated into the final site design and provide other detailed information as described herein.

The purpose of this information is to help determine the applicable development category, pollutants of concern, watershed description, and long term maintenance responsibilities for the project, and any applicable water quality credits. This information will be used in conjunction with the information in Section 3, Site Description, to establish the performance criteria and to select the LID BMP or other BMP for the project or other alternative programs that the project will participate in, which are described in Section 4.

<b>Form 2.1-1 Description of Proposed Project</b>				
<b>1</b> Development Category (Select all that apply):				
<input type="checkbox"/> Significant re-development involving the addition or replacement of 5,000 ft <sup>2</sup> or more of impervious surface on an already developed site	<input checked="" type="checkbox"/> New development involving the creation of 10,000 ft <sup>2</sup> or more of impervious surface collectively over entire site	<input type="checkbox"/> Automotive repair shops with standard industrial classification (SIC) codes 5013, 5014, 5541, 7532- 7534, 7536-7539	<input type="checkbox"/> Restaurants (with SIC code 5812) where the land area of development is 5,000 ft <sup>2</sup> or more	
<input type="checkbox"/> Hillside developments of 5,000 ft <sup>2</sup> or more which are located on areas with known erosive soil conditions or where the natural slope is 25 percent or more	<input type="checkbox"/> Developments of 2,500 ft <sup>2</sup> of impervious surface or more adjacent to (within 200 ft) or discharging directly into environmentally sensitive areas or waterbodies listed on the CWA Section 303(d) list of impaired waters.	<input checked="" type="checkbox"/> Parking lots of 5,000 ft <sup>2</sup> or more exposed to storm water	<input checked="" type="checkbox"/> Retail gasoline outlets that are either 5,000 ft <sup>2</sup> or more, or have a projected average daily traffic of 100 or more vehicles per day	
<input type="checkbox"/> Non-Priority / Non-Category Project <i>May require source control LID BMPs and other LIP requirements. Please consult with local jurisdiction on specific requirements.</i>				
<b>2</b> Project Area (ft <sup>2</sup> ):	35,800 S.F.	<b>3</b> Number of Dwelling Units:	N/A	<b>4</b> SIC Code: 5999 & 5541
<b>5</b> Is Project going to be phased? Yes <input type="checkbox"/> No <input checked="" type="checkbox"/> <i>If yes, ensure that the WQMP evaluates each phase as a distinct DA, requiring LID BMPs to address runoff at time of completion.</i>				
<b>6</b> Does Project include roads? Yes <input checked="" type="checkbox"/> No <input type="checkbox"/> <i>If yes, ensure that applicable requirements for transportation projects are addressed (see Appendix A of TGD for WQMP)</i>				

## 2.2 Property Ownership/Management

Describe the ownership/management of all portions of the project and site. State whether any infrastructure will transfer to public agencies (City, County, Caltrans, etc.) after project completion. State if a homeowners or property owners association will be formed and be responsible for the long-term maintenance of project stormwater facilities. Describe any lot-level stormwater features that will be the responsibility of individual property owners.

### Form 2.2-1 Property Ownership/Management

Describe property ownership/management responsible for long-term maintenance of WQMP stormwater facilities:

Property owner or any future property owners will own and operate development and all on-site BMP's. All road improvements ~~(including any drainage facilities-potential storm drain and inlet)~~ to be constructed with this project will be dedicated to the County of San Bernardino and will be the County's responsibility to maintain after dedication has occurred. Current property owner or any future property owner or assigned will be responsible for the long term maintenance of all on-site drainage facilities and BMP's. Storm water retention facilities will be underground, including a hydro-carbon filter for spill containment on the fueling pad. Infiltration testing has verified the feasibility of the underground retention - see ALR Engineering & Testing Infiltrometer Test.

Remove: General Statement

Improvements have been completed by the applicant and accepted by the county



## 2.3 Potential Stormwater Pollutants

Determine and describe expected stormwater pollutants of concern based on land uses and site activities (refer to Table 3-3 in the TGD for WQMP).

Form 2.3-1 Pollutants of Concern			
Pollutant	Please check: E=Expected, N=Not Expected		Additional Information and Comments
	E <input checked="" type="checkbox"/>	N <input type="checkbox"/>	
Pathogens (Bacterial / Virus)	E <input checked="" type="checkbox"/>	N <input type="checkbox"/>	Santa Ana River affected by pathogens.
Phosphorous	E <input checked="" type="checkbox"/>	N <input type="checkbox"/>	Neither Big Bear Lake nor Santa River affected.
Nitrogen	E <input checked="" type="checkbox"/>	N <input type="checkbox"/>	Neither Big Bear Lake nor Santa River affected.
Sediment	E <input checked="" type="checkbox"/>	N <input type="checkbox"/>	Neither Big Bear Lake nor Santa River affected.
Metals	E <input checked="" type="checkbox"/>	N <input type="checkbox"/>	Big Bear Lake and Santa River affected.
Oil and Grease	E <input checked="" type="checkbox"/>	N <input type="checkbox"/>	Neither Big Bear Lake nor Santa River affected.
Trash/Debris	E <input checked="" type="checkbox"/>	N <input type="checkbox"/>	Neither Big Bear Lake nor Santa River affected.
Pesticides / Herbicides	E <input checked="" type="checkbox"/>	N <input type="checkbox"/>	Neither Big Bear Lake nor Santa River affected.
Organic Compounds	E <input checked="" type="checkbox"/>	N <input type="checkbox"/>	Neither Big Bear Lake nor Santa River affected.
Other:	E <input checked="" type="checkbox"/>	N <input type="checkbox"/>	Noxious Aquatic Plants.
Other:	E <input type="checkbox"/>	N <input type="checkbox"/>	PCB's
Other:	E <input type="checkbox"/>	N <input type="checkbox"/>	
Other:	E <input type="checkbox"/>	N <input type="checkbox"/>	
Other:	E <input type="checkbox"/>	N <input type="checkbox"/>	
Other:	E <input type="checkbox"/>	N <input type="checkbox"/>	

## 2.4 Water Quality Credits

A water quality credit program is applicable for certain types of development projects if it is not feasible to meet the requirements for on-site LID. Proponents for eligible projects, as described below, can apply for water quality credits that would reduce project obligations for selecting and sizing other treatment BMP or participating in other alternative compliance programs. Refer to Section 6.2 in the TGD for WQMP to determine if water quality credits are applicable for the project.

<b>Form 2.4-1 Water Quality Credits</b>			
<sup>1</sup> Project Types that Qualify for Water Quality Credits: <i>Select all that apply</i>			
<input type="checkbox"/> Redevelopment projects that reduce the overall impervious footprint of the project site. [Credit = % impervious reduced]	Higher density development projects <input type="checkbox"/> Vertical density [20%] <input type="checkbox"/> 7 units/ acre [5%]	<input type="checkbox"/> Mixed use development, (combination of residential, commercial, industrial, office, institutional, or other land uses which incorporate design principles that demonstrate environmental benefits not realized through single use projects) [20%]	<input type="checkbox"/> Brownfield redevelopment (redevelop real property complicated by presence or potential of hazardous contaminants) [25%]
<input type="checkbox"/> Redevelopment projects in established historic district, historic preservation area, or similar significant core city center areas [10%]	<input type="checkbox"/> Transit-oriented developments (mixed use residential or commercial area designed to maximize access to public transportation) [20%]	<input type="checkbox"/> In-fill projects (conversion of empty lots & other underused spaces < 5 acres, substantially surrounded by urban land uses, into more beneficially used spaces, such as residential or commercial areas) [10%]	<input type="checkbox"/> Live-Work developments (variety of developments designed to support residential and vocational needs) [20%]
<sup>2</sup> Total Credit % 0% (Total all credit percentages up to a maximum allowable credit of 50 percent)			
Description of Water Quality Credit Eligibility (if applicable)		None.	

## Section 3 Site and Watershed Description

Describe the project site conditions that will facilitate the selection of BMP through an analysis of the physical conditions and limitations of the site and its receiving waters. Identify distinct drainage areas (DA) that collect flow from a portion of the site and describe how runoff from each DA (and sub-watershed DMAs) is conveyed to the site outlet(s). Refer to Section 3.2 in the TGD for WQMP. The form below is provided as an example.

Then complete Forms 3.2 and 3.3 for each DA on the project site. ***If the project has more than one drainage area for stormwater management, then complete additional versions of these forms for each DA / outlet.***

Form 3-1 Site Location and Hydrologic Features			
Site coordinates take GPS measurement of approximate center of site	Latitude 34.2436	Longitude -116.8078	Thomas Bros Map page 4812 H:
<sup>1</sup> San Bernardino County climatic region: <input type="checkbox"/> Valley <input checked="" type="checkbox"/> Mountain			
<sup>2</sup> Does the site have more than one drainage area (DA): Yes <input type="checkbox"/> No <input checked="" type="checkbox"/> (If no, proceed to Form 3-2. If yes, then use this form to show a conceptual schematic describing DMAs and hydrologic features connecting DMAs to the site outlet(s). An example is provided below that can be modified for proposed project or a drawing clearly showing DMA and flow routing may be attached			
Conveyance	Briefly describe on-site drainage features to convey runoff that is not retained within a DMA		
DA1 DMA A to Outlet 1	On-site flows will be conveyed in valley gutter to drain inlet and via storm drain pipe to U.G. detention basin.		

<b>Form 3-2 Existing Hydrologic Characteristics for Drainage Area 1</b>				
For Drainage Area 1's sub-watershed DMA, provide the following characteristics	DMA A	DMA B	DMA C	DMA D
<b>1</b> DMA drainage area (ft <sup>2</sup> )	40,032			
<b>2</b> Existing site impervious area (ft <sup>2</sup> )	0			
<b>3</b> Antecedent moisture condition <i>For desert areas, use <a href="http://www.sbcounty.gov/dpw/floodcontrol/pdf/20100412_map.pdf">http://www.sbcounty.gov/dpw/floodcontrol/pdf/20100412_map.pdf</a></i>	III			
<b>4</b> Hydrologic soil group <i>Refer to Watershed Mapping Tool – <a href="http://sbcounty.permitrack.com/WAP">http://sbcounty.permitrack.com/WAP</a></i>	C Verified by borings.			
<b>5</b> Longest flowpath length (ft)	360			
<b>6</b> Longest flowpath slope (ft/ft)	.028			
<b>7</b> Current land cover type(s) <i>Select from Fig C-3 of Hydrology Manual</i>	Urban Covers			
<b>8</b> Pre-developed pervious area condition: <i>Based on the extent of wet season vegetated cover good &gt;75%; Fair 50-75%; Poor &lt;50% Attach photos of site to support rating</i>	Fair			

Provide Photos in final

<b>Form 3-2 Existing Hydrologic Characteristics for Drainage Area 1</b> <b>(use only as needed for additional DMA w/in DA 1)</b>				
For Drainage Area 1's sub-watershed DMA, provide the following characteristics	DMA E	DMA F	DMA G	DMA H
<b>1</b> DMA drainage area (ft <sup>2</sup> )				
<b>2</b> Existing site impervious area (ft <sup>2</sup> )				
<b>3</b> Antecedent moisture condition <i>For desert areas, use <a href="http://www.sbcounty.gov/dpw/floodcontrol/pdf/20100412_map.pdf">http://www.sbcounty.gov/dpw/floodcontrol/pdf/20100412_map.pdf</a></i>				
<b>4</b> Hydrologic soil group <i>Refer to Watershed Mapping Tool – <a href="http://sbcounty.permitrack.com/WAP">http://sbcounty.permitrack.com/WAP</a></i>				
<b>5</b> Longest flowpath length (ft)				
<b>6</b> Longest flowpath slope (ft/ft)				
<b>7</b> Current land cover type(s) <i>Select from Fig C-3 of Hydrology Manual</i>				
<b>8</b> Pre-developed pervious area condition: <i>Based on the extent of wet season vegetated cover good &gt;75%; Fair 50-75%; Poor &lt;50% Attach photos of site to support rating</i>				

Water Quality Management Plan (WQMP)

<b>Form 3-3 Watershed Description for Drainage Area</b>	
<p>Receiving waters</p> <p><i>Refer to Watershed Mapping Tool -</i>  <a href="http://sbcounty.permitrack.com/WAP">http://sbcounty.permitrack.com/WAP</a>  <i>See "Drainage Facilities" link at this website</i></p>	<p>Big Bear Lake &amp; Santa Ana River</p>
<p>Applicable TMDLs</p> <p><i>Refer to Local Implementation Plan</i></p>	
<p>303(d) listed impairments</p> <p><i>Refer to Local Implementation Plan and Watershed Mapping Tool –</i>  <a href="http://sbcounty.permitrack.com/WAP">http://sbcounty.permitrack.com/WAP</a> and State Water Resources Control Board website –  <a href="http://www.waterboards.ca.gov/santaana/water_iss ues/programs/tmdl/index.shtml">http://www.waterboards.ca.gov/santaana/water_iss ues/programs/tmdl/index.shtml</a></p>	<p>Metals, Nutrients, Mercury, Noxious Aquatic Plants, Polychlorinated Biphenyls, Pathogens</p>
<p>Environmentally Sensitive Areas (ESA)</p> <p><i>Refer to Watershed Mapping Tool –</i>  <a href="http://sbcounty.permitrack.com/WAP">http://sbcounty.permitrack.com/WAP</a></p>	<p>None</p>
<p>Unlined Downstream Water Bodies</p> <p><i>Refer to Watershed Mapping Tool –</i>  <a href="http://sbcounty.permitrack.com/WAP">http://sbcounty.permitrack.com/WAP</a></p>	<p>Bear Creek</p>
<p>Hydrologic Conditions of Concern</p>	<p><input checked="" type="checkbox"/> Yes Complete Hydrologic Conditions of Concern (HCOC) Assessment. Include Forms 4.2-2 through Form 4.2-5 and Hydromodification BMP Form 4.3-10 in submittal</p> <p><input type="checkbox"/> No</p>
<p>Watershed-based BMP included in a RWQCB approved WAP</p>	<p><input type="checkbox"/> Yes Attach verification of regional BMP evaluation criteria in WAP</p> <ul style="list-style-type: none"> <li>• More Effective than On-site LID</li> <li>• Remaining Capacity for Project DCV</li> <li>• Upstream of any Water of the US</li> <li>• Operational at Project Completion</li> <li>• Long-Term Maintenance Plan</li> </ul> <p><input checked="" type="checkbox"/> No</p>

## Section 4 Best Management Practices (BMP)

### 4.1 Source Control BMP

#### 4.1.1 Pollution Prevention

Non-structural and structural source control BMP are required to be incorporated into all new development and significant redevelopment projects. Form 4.1-1 and 4.1-2 are used to describe specific source control BMPs used in the WQMP or to explain why a certain BMP is not applicable. Table 7-3 of the TGD for WQMP provides a list of applicable source control BMP for projects with specific types of potential pollutant sources or activities. The source control BMP in this table must be implemented for projects with these specific types of potential pollutant sources or activities.

The preparers of this WQMP have reviewed the source control BMP requirements for new development and significant redevelopment projects. The preparers have also reviewed the specific BMP required for project as specified in Forms 4.1-1 and 4.1-2. All applicable non-structural and structural source control BMP shall be implemented in the project.

**Form 4.1-1 Non-Structural Source Control BMPs**

Identifier	Name	Check One		Describe BMP Implementation OR, if not applicable, state reason
		Included	Not Applicable	
N1	Education of Property Owners, Tenants and Occupants on Stormwater BMPs	<input checked="" type="checkbox"/>	<input type="checkbox"/>	Owner Educational Materials included in WQMP, owner will provide educational materials and train employees. Owner is required to research updated educational materials annually
N2	Activity Restrictions	<input checked="" type="checkbox"/>	<input type="checkbox"/>	No HOA to be formed, but no vehicle washing, maintenance or repairs will be allowed on-site. All trash bins lids will be required to be closed. No blowing, sweeping or hosing on debris (leaf litter, grass clippings, litter, etc.) into storm drain inlets will be permitted. Pesticide application must be performed by an applicator certified by the California Department of Pesticide Regulation.
N3	Landscape Management BMPs	<input checked="" type="checkbox"/>	<input type="checkbox"/>	Existing vegetation to be preserved as much as possible and landscaping to be depressed approximately 1" below curbs.
N4	BMP Maintenance	<input checked="" type="checkbox"/>	<input type="checkbox"/>	Owner will provide any new employees with educational materials, educate on activity restrictions and train them in maintenance of BMP's. Owner will maintain all on-site BMP's per the schedule provided in this WQMP.
N5	Title 22 CCR Compliance (How development will comply)	<input type="checkbox"/>	<input checked="" type="checkbox"/>	No HOA to be formed so no CCR compliance required
N6	Local Water Quality Ordinances	<input type="checkbox"/>	<input checked="" type="checkbox"/>	None.
N7	Spill Contingency Plan	<input checked="" type="checkbox"/>	<input type="checkbox"/>	Fuel pad drainage to be isolated and cut-off from the storm drainage inlets and underground retention basin by means of a hydro-carbon filter and contained in a impervious containment area.
N8	Underground Storage Tank Compliance	<input checked="" type="checkbox"/>	<input type="checkbox"/>	Owner to comply with all underground fuel storage requirements.

What are the requirements of fuel storage. State them here.



**Form 4.1-1 Non-Structural Source Control BMPs**

N9	Hazardous Materials Disclosure Compliance	<input checked="" type="checkbox"/>	<input type="checkbox"/>	Owner to provide disclosure for fuels and any other hazardous material stored on-site to the San Bernardino County Fire Hazard Division.
----	---	-------------------------------------	--------------------------	--

**Form 4.1-1 Non-Structural Source Control BMPs**

Identifier	Name	Check One		Describe BMP Implementation OR, if not applicable, state reason
		Included	Not Applicable	
N10	Uniform Fire Code Implementation	<input checked="" type="checkbox"/>	<input type="checkbox"/>	See architectural, landscaping and fire sprinkler plans for implementation and maintenance of fire sprinklers
N11	Litter/Debris Control Program	<input checked="" type="checkbox"/>	<input type="checkbox"/>	Owner shall institute litter control plan to remove litter/debris on a daily basis or as needed.
N12	Employee Training	<input checked="" type="checkbox"/>	<input type="checkbox"/>	Owner shall train every new employee on WQMP requirements with annually updated educational materials and hold employee training on WQMP requirements on a quarterly basis.
N13	Housekeeping of Loading Docks	<input type="checkbox"/>	<input checked="" type="checkbox"/>	No proposed loading docks.
N14	Catch Basin Inspection Program	<input checked="" type="checkbox"/>	<input type="checkbox"/>	Owner shall have on-site catch basin inspections on a monthly basis.
N15	Vacuum Sweeping of Private Streets and Parking Lots	<input checked="" type="checkbox"/>	<input type="checkbox"/>	Owner shall have on-site parking and driveways vacuum swept on a monthly basis.
N16	Other Non-structural Measures for Public Agency Projects	<input type="checkbox"/>	<input checked="" type="checkbox"/>	Not a public agency project.
N17	Comply with all other applicable NPDES permits	<input type="checkbox"/>	<input checked="" type="checkbox"/>	No other applicable NPDES permits required

**Form 4.1-2 Structural Source Control BMPs**

Identifier	Name	Check One		Describe BMP Implementation OR, if not applicable, state reason
		Included	Not Applicable	
S1	Provide storm drain system stenciling and signage (CASQA New Development BMP Handbook SD-13)	<input checked="" type="checkbox"/>	<input type="checkbox"/>	Provide storm drainage stenciling at each on-site catch basin per CASQA SD-13 details. Stenciling shall say "NO DUMPING - FLOWS TO CREEK".
S2	Design and construct outdoor material storage areas to reduce pollution introduction (CASQA New Development BMP Handbook SD-34)	<input type="checkbox"/>	<input checked="" type="checkbox"/>	No outside material storage areas proposed.
S3	Design and construct trash and waste storage areas to reduce pollution introduction (CASQA New Development BMP Handbook SD-32)	<input checked="" type="checkbox"/>	<input type="checkbox"/>	County and CASQA compliant trash enclosures to be provided with masonry walls to prevent outside drainage flows into enclosure, concrete floor (impervious), bins with lids and a roof or canopy structure.
S4	Use efficient irrigation systems & landscape design, water conservation, smart controllers, and source control (Statewide Model Landscape Ordinance; CASQA New Development BMP Handbook SD-12)	<input checked="" type="checkbox"/>	<input type="checkbox"/>	Efficient irrigation design and landscape design to be provided per landscape plans, including timed controller with rain shutoff device, drought tolerant plants, the use of wood chips or mulch, and reduced pressure shutoff valve. <b>SP</b>
S5	Finish grade of landscaped areas at a minimum of 1-2 inches below top of curb, sidewalk, or pavement	<input checked="" type="checkbox"/>	<input type="checkbox"/>	Landscape areas to be depressed a minimum of 1" below surrounding curbs.
S6	Protect slopes and channels and provide energy dissipation (CASQA New Development BMP Handbook SD-10)	<input type="checkbox"/>	<input checked="" type="checkbox"/>	No channels or channels on-site. <b>slopes?</b>
S7	Covered dock areas (CASQA New Development BMP Handbook SD-31)	<input type="checkbox"/>	<input checked="" type="checkbox"/>	No docks proposed.
S8	Covered maintenance bays with spill containment plans (CASQA New Development BMP Handbook SD-31)	<input type="checkbox"/>	<input checked="" type="checkbox"/>	No maintenance bays proposed.
S9	Vehicle wash areas with spill containment plans (CASQA New Development BMP Handbook SD-33)	<input type="checkbox"/>	<input checked="" type="checkbox"/>	No vehicle washing will be allowed on-site per activity restrictions.
S10	Covered outdoor processing areas (CASQA New Development BMP Handbook SD-36)	<input type="checkbox"/>	<input checked="" type="checkbox"/>	No outdoor processing areas proposed.

What details; Specify what you will be following in SD-13

### Form 4.1-2 Structural Source Control BMPs

Identifier	Name	Check One		Describe BMP Implementation OR, if not applicable, state reason
		Included	Not Applicable	
S11	Equipment wash areas with spill containment plans (CASQA New Development BMP Handbook SD-33)	<input type="checkbox"/>	<input checked="" type="checkbox"/>	No equipment wash areas proposed and will be activity restricted. <span style="border: 1px solid red; padding: 2px;">SP</span> <span style="border: 1px solid red; padding: 2px;">SP</span>
S12	Fueling areas (CASQA New Development BMP Handbook SD-30)	<input type="checkbox"/>	<input checked="" type="checkbox"/>	Fueling area drainage to be isolated from other on-site drainage by grade breaks, swales and drainage inlets. Spill containment will be provided by a dedicated hydro-carbon filter stopping flows from fueling pad and contained in pipes and drainage basins.
S13	Hillside landscaping (CASQA New Development BMP Handbook SD-10)	<input type="checkbox"/>	<input checked="" type="checkbox"/>	No hillside areas on-site as site slopes are under 5%.
S14	Wash water control for food preparation areas	<input type="checkbox"/>	<input checked="" type="checkbox"/>	No food preparation areas (restaurants) proposed.
S15	Community car wash racks (CASQA New Development BMP Handbook SD-33)	<input type="checkbox"/>	<input checked="" type="checkbox"/>	No carwash proposed and activity to be restricted.

See WQMP TGD for minimum implementations required to be implemented.

requires additional implementation measures.

### 4.1.2 Preventative LID Site Design Practices

Site design practices associated with new LID requirements in the MS4 Permit should be considered in the earliest phases of a project. Preventative site design practices can result in smaller DCV for LID BMP and hydromodification control BMP by reducing runoff generation. Describe site design and drainage plan including:

- A narrative of site design practices utilized or rationale for not using practices
- A narrative of how site plan incorporates preventive site design practices
- Include an attached Site Plan layout which shows how preventative site design practices are included in WQMP

Refer to Section 5.2 of the TGD for WQMP for more details.

<b>Form 4.1-3 Preventative LID Site Design Practices Checklist</b>	
<b>Site Design Practices</b> <i>If yes, explain how preventative site design practice is addressed in project site plan. If no, other LID BMPs must be selected to meet targets</i>	
Minimize impervious areas: Yes <input checked="" type="checkbox"/> No <input type="checkbox"/> Explanation: Driveway and parking spaces sized per County minimum standards. Sidewalk minimized to provide accessible and pedestrian access to store and caretaker's residence.	
Maximize natural infiltration capacity: Yes <input type="checkbox"/> No <input checked="" type="checkbox"/> Explanation: No hardscape proposed in landscape areas, native trees and vegetation to be preserved as much as possible. On-site proposed slopes do not allow drainage flow through landscape areas. All hardscape drainage will go to U.G. chambers.	
Preserve existing drainage patterns and time of concentration: Yes <input type="checkbox"/> No <input checked="" type="checkbox"/> Explanation: On-site proposed grades and slopes require drainage flows to be concentrated into drainage swales, decreasing the time of concentration. U.G. retention system will greatly increase time of concentration.	
Disconnect impervious areas: Yes <input type="checkbox"/> No <input checked="" type="checkbox"/> Explanation: Drainage is not directed to pervious surface on-site but directed to underground retention chamber system.	
Protect existing vegetation and sensitive areas: Yes <input checked="" type="checkbox"/> No <input type="checkbox"/> Explanation: Existing trees and vegetation will be preserved in the landscape areas as shown in landscaping plans.	
Re-vegetate disturbed areas: Yes <input type="checkbox"/> No <input checked="" type="checkbox"/> Explanation: The disturbed area will consist primarily for impervious surface.	Site design includes 24.3% landscaping
Minimize unnecessary compaction in stormwater retention/infiltration basin/trench areas: Yes <input type="checkbox"/> No <input checked="" type="checkbox"/> Explanation: Manufacturer of underground retention chambers required stabilized base and gravel under chambers.	
Utilize vegetated drainage swales in place of underground piping or imperviously lined swales: Yes <input type="checkbox"/> No <input checked="" type="checkbox"/> Explanation: Size of development area does not allow for vegetated swales.	Why doesn't it work? what is the alternative?
Stake off areas that will be used for landscaping to minimize compaction during construction : Yes <input checked="" type="checkbox"/> No <input type="checkbox"/> Explanation: Landscape area will be staked off during grading to minimize compaction.	

## 4.2 Project Performance Criteria

The purpose of this section of the Project WQMP is to establish targets for post-development hydrology based on performance criteria specified in the MS4 Permit. These targets include runoff volume for water quality control (referred to as LID design capture volume), and runoff volume, time of concentration, and peak runoff for protection of any downstream waterbody segments with a HCOC. ***If the project has more than one outlet for stormwater runoff, then complete additional versions of these forms for each DA / outlet.***

Methods applied in the following forms include:

- For LID BMP Design Capture Volume (DCV), the San Bernardino County Stormwater Program requires use of the  $P_6$  method (MS4 Permit Section XI.D.6a.ii) – Form 4.2-1
- For HCOC pre- and post-development hydrologic calculation, the San Bernardino County Stormwater Program requires the use of the Rational Method (San Bernardino County Hydrology Manual Section D). Forms 4.2-2 through Form 4.2-5 calculate hydrologic variables including runoff volume, time of concentration, and peak runoff from the project site pre- and post-development using the Hydrology Manual Rational Method approach. For projects greater than 640 acres (1.0 mi<sup>2</sup>), the Rational Method and these forms should not be used. For such projects, the Unit Hydrograph Method (San Bernardino County Hydrology Manual Section E) shall be applied for hydrologic calculations for HCOC performance criteria.

Refer to Section 4 in the TGD for WQMP for detailed guidance and instructions.

<b>Form 4.2-1 LID BMP Performance Criteria for Design Capture Volume (DA 1)</b>	
<b>1</b> Project area DA 1 (ft <sup>2</sup> ): 40032	<b>2</b> Imperviousness after applying preventative site design practices (Imp%): 75.7%
<b>3</b> Runoff Coefficient (Rc): <u>0.55</u> $R_c = 0.858(\text{Imp}\%)^3 - 0.78(\text{Imp}\%)^2 + 0.774(\text{Imp}\%) + 0.04$	
<b>4</b> Determine 1-hour rainfall depth for a 2-year return period $P_{2\text{yr}-1\text{hr}}$ (in): 0.718 <a href="http://hdsc.nws.noaa.gov/hdsc/pfds/sa/sca_pfds.html">http://hdsc.nws.noaa.gov/hdsc/pfds/sa/sca_pfds.html</a>	
<b>5</b> Compute $P_6$ , Mean 6-hr Precipitation (inches): 1.371 $P_6 = \text{Item 4} * C_1$ , where $C_1$ is a function of site climatic region specified in Form 3-1 Item 1 (Valley = 1.4807; Mountain = 1.909; Desert = 1.2371)	
<b>6</b> Drawdown Rate Use 48 hours as the default condition. Selection and use of the 24 hour drawdown time condition is subject to approval by the local jurisdiction. The necessary BMP footprint is a function of drawdown time. While shorter drawdown times reduce the performance criteria for LID BMP design capture volume, the depth of water that can be stored is also reduced.	24-hrs <input type="checkbox"/> 48-hrs <input checked="" type="checkbox"/>
<b>7</b> Compute design capture volume, DCV (ft <sup>3</sup> ): 4,937 $DCV = 1/12 * [\text{Item 1} * \text{Item 3} * \text{Item 5} * C_2]$ , where $C_2$ is a function of drawdown rate (24-hr = 1.582; 48-hr = 1.963) Compute separate DCV for each outlet from the project site per schematic drawn in Form 3-1 Item 2	

Water Quality Management Plan (WQMP)

**Form 4.2-2 Summary of HCOC Assessment (DA 1)**

Does project have the potential to cause or contribute to an HCOC in a downstream channel: Yes  No

Go to: <http://sbcountry.permitrack.com/WAP>

If "Yes", then complete HCOC assessment of site hydrology for 2yr storm event using Forms 4.2-3 through 4.2-5 and insert results below  
(Forms 4.2-3 through 4.2-5 may be replaced by computer software analysis based on the San Bernardino County Hydrology Manual)

If "No," then proceed to Section 4.3 Project Conformance Analysis

Condition	Runoff Volume (ft <sup>3</sup> )	Time of Concentration (min)	Peak Runoff (cfs)
Pre-developed	<sup>1</sup> 4,863 <i>Form 4.2-3 Item 12</i>	<sup>2</sup> 15 <i>Form 4.2-4 Item 13</i>	<sup>3</sup> 1.21 <i>Form 4.2-5 Item 10</i>
Post-developed	<sup>4</sup> 3,260 <i>Form 4.2-3 Item 13</i>	<sup>5</sup> 6 <i>Form 4.2-4 Item 14</i>	<sup>6</sup> 2.31 <i>Form 4.2-5 Item 14</i>
Difference	<sup>7</sup> -1,766 <i>Item 4 - Item 1</i>	<sup>8</sup> -9 ← <sup>9</sup> <del>Item 5 - Item 2</del>	<sup>9</sup> 1.1 <i>Item 6 - Item 3</i>
Difference (as % of pre-developed)	<sup>10</sup> -36% <i>Item 7 / Item 1</i>	<sup>11</sup> -60% <i>Item 8 / Item 2</i>	<sup>12</sup> 91% <i>Item 9 / Item 3</i>

60%

**Form 4.2-3 HCOC Assessment for Runoff Volume (DA 1)**

<b>Weighted Curve Number Determination for: Pre-developed DA</b>	DMA A	DMA B	DMA C	DMA D	DMA E	DMA F	DMA G	DMA H
<b>1a</b> Land Cover type	Woodland							
<b>2a</b> Hydrologic Soil Group (HSG)	C							
<b>3a</b> DMA Area, ft <sup>2</sup> <i>sum of areas of DMA should equal area of DA</i>	40,032							
<b>4a</b> Curve Number (CN) <i>use Items 1 and 2 to select the appropriate CN from Appendix C-2 of the TGD for WQMP</i>	77							
<b>Weighted Curve Number Determination for: Post-developed DA</b>	DMA A	DMA B	DMA C	DMA D	DMA E	DMA F	DMA G	DMA H
<b>1b</b> Land Cover type	Urban							
<b>2b</b> Hydrologic Soil Group (HSG)	C							
<b>3b</b> DMA Area, ft <sup>2</sup> <i>sum of areas of DMA should equal area of DA</i>	40,032							
<b>4b</b> Curve Number (CN) <i>use Items 5 and 6 to select the appropriate CN from Appendix C-2 of the TGD for WQMP</i>	69							
<b>5</b> Pre-Developed area-weighted CN: 77	<b>7</b> Pre-developed soil storage capacity, S (in): 2.99 <i>S = (1000 / Item 5) - 10</i>				<b>9</b> Initial abstraction, I <sub>a</sub> (in): .60 <i>I<sub>a</sub> = 0.2 * Item 7</i>			
<b>6</b> Post-Developed area-weighted CN: 69	<b>8</b> Post-developed soil storage capacity, S (in): 4.49 <i>S = (1000 / Item 6) - 10</i>				<b>10</b> Initial abstraction, I <sub>a</sub> (in): .90 <i>I<sub>a</sub> = 0.2 * Item 8</i>			
<b>11</b> Precipitation for 2 yr, 24 hr storm (in): 3.54 <i>Go to: <a href="http://hdsc.nws.noaa.gov/hdsc/pfds/so/sca_pfds.html">http://hdsc.nws.noaa.gov/hdsc/pfds/so/sca_pfds.html</a></i>								
<b>12</b> Pre-developed Volume (ft <sup>3</sup> ): 4,863 <i>V<sub>pre</sub> = (1 / 12) * (Item sum of Item 3) * [(Item 11 - Item 9)^2 / ((Item 11 - Item 9 + Item 7))]</i>								
<b>13</b> Post-developed Volume (ft <sup>3</sup> ): 3,261 <i>V<sub>pre</sub> = (1 / 12) * (Item sum of Item 3) * [(Item 11 - Item 10)^2 / ((Item 11 - Item 10 + Item 8))]</i>								
<b>14</b> Volume Reduction needed to meet HCOC Requirement, (ft <sup>3</sup> ): -1,765 <i>V<sub>HCOC</sub> = (Item 13 * 0.95) - Item 12</i>								



### Form 4.2-4 HCOC Assessment for Time of Concentration (DA 1)

Compute time of concentration for pre and post developed conditions for each DA (For projects using the Hydrology Manual complete the form below)

Variables	Pre-developed DA1 <i>Use additional forms if there are more than 4 DMA</i>				Post-developed DA1 <i>Use additional forms if there are more than 4 DMA</i>			
	DMA A	DMA B	DMA C	DMA D	DMA A	DMA B	DMA C	DMA D
<b>1</b> Length of flowpath (ft) <i>Use Form 3-2 Item 5 for pre-developed condition</i>	-375					361		
<b>2</b> Change in elevation (ft)	11					10		
<b>3</b> Slope (ft/ft), $S_o = \text{Item 2} / \text{Item 1}$	0.029					0.028		
<b>4</b> Land cover	Wood-land					Urban		
<b>5</b> Initial DMA Time of Concentration (min) <i>Appendix C-1 of the TGD for WQMP</i>	15					6		
<b>6</b> Length of conveyance from DMA outlet to project site outlet (ft) <i>May be zero if DMA outlet is at project site outlet</i>	0					0		
<b>7</b> Cross-sectional area of channel (ft <sup>2</sup> )								
<b>8</b> Wetted perimeter of channel (ft)								
<b>9</b> Manning's roughness of channel (n)								
<b>10</b> Channel flow velocity (ft/sec) $V_{fps} = (1.49 / \text{Item 9}) * (\text{Item 7} / \text{Item 8})^{0.67} * (\text{Item 3})^{0.5}$	0					0		
<b>11</b> Travel time to outlet (min) $T_t = \text{Item 6} / (\text{Item 10} * 60)$	0					0		
<b>12</b> Total time of concentration (min) $T_c = \text{Item 5} + \text{Item 11}$	15					6		
<b>13</b> Pre-developed time of concentration (min): 15 <i>Minimum of Item 12 pre-developed DMA</i>								
<b>14</b> Post-developed time of concentration (min): 6 <i>Minimum of Item 12 post-developed DMA</i>								
<b>15</b> Additional time of concentration needed to meet HCOC requirement (min): -9.3 $T_{C-HCOC} = (\text{Item 14} * 0.95) - \text{Item 13}$								

8.25

### Form 4.2-5 HCOC Assessment for Peak Runoff (DA 1)

Compute peak runoff for pre- and post-developed conditions						
Variables	Pre-developed DA to Project Outlet (Use additional forms if more than 3 DMA)			Post-developed DA to Project Outlet (Use additional forms if more than 3 DMA)		
	DMA A	DMA B	DMA C	DMA A	DMA B	DMA C
<b>1</b> Rainfall Intensity for storm duration equal to time of concentration $I_{peak} = 10^{(LOG Form 4.2-1 Item 4 - 0.6 LOG Form 4.2-4 Item 5 / 60)}$	1.65			2.86		
<b>2</b> Drainage Area of each DMA (ft <sup>2</sup> ) For DMA with outlet at project site outlet, include upstream DMA (Using example schematic in Form 3-1, DMA A will include drainage from DMA C)	40,032 0.92 AC			40,032 0.92 AC		
<b>3</b> Ratio of pervious area to total area For DMA with outlet at project site outlet, include upstream DMA (Using example schematic in Form 3-1, DMA A will include drainage from DMA C)	1.00			0.243		
<b>4</b> Pervious area infiltration rate (in/hr) Use pervious area CN and antecedent moisture condition with Appendix C-3 of the TGD for WQMP	0.19			0.27		
<b>5</b> Maximum loss rate (in/hr) $F_m = Item 3 * Item 4$ Use area-weighted $F_m$ from DMA with outlet at project site outlet, include upstream DMA (Using example schematic in Form 3-1, DMA A will include drainage from DMA C)	0.19			0.06		
<b>6</b> Peak Flow from DMA (cfs) $Q_p = Item 2 * 0.9 * (Item 1 - Item 5)$	1.21			2.31		
<b>7</b> Time of concentration adjustment factor for other DMA to site discharge point Form 4.2-4 Item 12 DMA / Other DMA upstream of site discharge point (If ratio is greater than 1.0, then use maximum value of 1.0)	DMA A	n/a		n/a		
	DMA B		n/a		n/a	
	DMA C		n/a			n/a
<b>8</b> Pre-developed $Q_p$ at $T_c$ for DMA A: 1.21 $Q_p = Item 6_{DMAA} + [Item 6_{DMAB} * (Item 1_{DMAA} - Item 5_{DMAB}) / (Item 1_{DMAB} - Item 5_{DMAB}) * Item 7_{DMAA/2}] + [Item 6_{DMAC} * (Item 1_{DMAA} - Item 5_{DMAC}) / (Item 1_{DMAC} - Item 5_{DMAC}) * Item 7_{DMAA/3}]$	<b>9</b> Pre-developed $Q_p$ at $T_c$ for DMA B: 0 $Q_p = Item 6_{DMAB} + [Item 6_{DMAA} * (Item 1_{DMAB} - Item 5_{DMAA}) / (Item 1_{DMAA} - Item 5_{DMAA}) * Item 7_{DMAB/1}] + [Item 6_{DMAC} * (Item 1_{DMAB} - Item 5_{DMAC}) / (Item 1_{DMAC} - Item 5_{DMAC}) * Item 7_{DMAB/3}]$		<b>10</b> Pre-developed $Q_p$ at $T_c$ for DMA C: 0 $Q_p = Item 6_{DMAC} + [Item 6_{DMAA} * (Item 1_{DMAC} - Item 5_{DMAA}) / (Item 1_{DMAA} - Item 5_{DMAA}) * Item 7_{DMAC/1}] + [Item 6_{DMAB} * (Item 1_{DMAC} - Item 5_{DMAB}) / (Item 1_{DMAB} - Item 5_{DMAB}) * Item 7_{DMAC/2}]$			
<b>10</b> Peak runoff from pre-developed condition confluence analysis (cfs): 1.21 Maximum of Item 8, 9, and 10 (including additional forms as needed)						
<b>11</b> Post-developed $Q_p$ at $T_c$ for DMA A: 2.31 Same as Item 8 for post-developed values	<b>12</b> Post-developed $Q_p$ at $T_c$ for DMA B: 0 Same as Item 9 for post-developed values		<b>13</b> Post-developed $Q_p$ at $T_c$ for DMA C: 0 Same as Item 10 for post-developed values			
<b>14</b> Peak runoff from post-developed condition confluence analysis (cfs): 2.31 Maximum of Item 11, 12, and 13 (including additional forms as needed)						
<b>15</b> Peak runoff reduction needed to meet HCOC Requirement (cfs): 0.99 $Q_{p-HCOC} = (Item 14 * 0.95) - Item 10$						

## 4.3 Project Conformance Analysis

Complete the following forms for each project site DA to document that the proposed LID BMPs conform to the project DCV developed to meet performance criteria specified in the MS4 Permit (WQMP Template Section 4.2). For the LID DCV, the forms are ordered according to hierarchy of BMP selection as required by the MS4 Permit (see Section 5.3.1 in the TGD for WQMP). The forms compute the following for on-site LID BMP:

- Site Design and Hydrologic Source Controls (Form 4.3-2)
- Retention and Infiltration (Form 4.3-3)
- Harvested and Use (Form 4.3-4) or
- Biotreatment (Form 4.3-5).

At the end of each form, additional fields facilitate the determination of the extent of mitigation provided by the specific BMP category, allowing for use of the next category of BMP in the hierarchy, if necessary.

The first step in the analysis, using Section 5.3.2.1 of the TGD for WQMP, is to complete Forms 4.3-1 and 4.3-3) to determine if retention and infiltration BMPs are infeasible for the project. For each feasibility criterion in Form 4.3-1, if the answer is “Yes,” provide all study findings that includes relevant calculations, maps, data sources, etc. used to make the determination of infeasibility.

Next, complete Forms 4.3-2 and 4.3-4 to determine the feasibility of applicable HSC and harvest and use BMPs, and, if their implementation is feasible, the extent of mitigation of the DCV.

If no site constraints exist that would limit the type of BMP to be implemented in a DA, evaluate the use of combinations of LID BMPs, including all applicable HSC BMPs to maximize on-site retention of the DCV. If no combination of BMP can mitigate the entire DCV, implement the single BMP type, or combination of BMP types, that maximizes on-site retention of the DCV within the minimum effective area.

If the combination of LID HSC, retention and infiltration, and harvest and use BMPs are unable to mitigate the entire DCV, then biotreatment BMPs may be implemented by the project proponent. If biotreatment BMPs are used, then they must be sized to provide sufficient capacity for effective treatment of the remainder of the volume-based performance criteria that cannot be achieved with LID BMPs (TGD for WQMP Section 5.4.4.2).

**Under no circumstances shall any portion of the DCV be released from the site without effective mitigation and/or treatment.**

<b>Form 4.3-1 Infiltration BMP Feasibility (DA 1)</b>	
Feasibility Criterion – Complete evaluation for each DA on the Project Site	
<b>1</b> Would infiltration BMP pose significant risk for groundwater related concerns? <span style="float: right;">Yes <input type="checkbox"/> No <input checked="" type="checkbox"/></span>	<i>Refer to Section 5.3.2.1 of the TGD for WQMP</i>
If Yes, Provide basis: (attach)	
<b>2</b> Would installation of infiltration BMP significantly increase the risk of geotechnical hazards? <span style="float: right;">Yes <input type="checkbox"/> No <input checked="" type="checkbox"/></span>	(Yes, if the answer to any of the following questions is yes, as established by a geotechnical expert): <ul style="list-style-type: none"> <li>• The location is less than 50 feet away from slopes steeper than 15 percent</li> <li>• The location is less than eight feet from building foundations or an alternative setback.</li> <li>• A study certified by a geotechnical professional or an available watershed study determines that stormwater infiltration would result in significantly increased risks of geotechnical hazards.</li> </ul>
If Yes, Provide basis: (attach)	
<b>3</b> Would infiltration of runoff on a Project site violate downstream water rights? <span style="float: right;">Yes <input type="checkbox"/> No <input checked="" type="checkbox"/></span>	
If Yes, Provide basis: (attach)	
<b>4</b> Is proposed infiltration facility located on hydrologic soil group (HSG) D soils or does the site geotechnical investigation indicate presence of soil characteristics, which support categorization as D soils? <span style="float: right;">Yes <input type="checkbox"/> No <input checked="" type="checkbox"/></span>	
If Yes, Provide basis: (attach)	
<b>5</b> Is the design infiltration rate, after accounting for safety factor of 2.0, below proposed facility less than 0.3 in/hr (accounting for soil amendments)? <span style="float: right;">Yes <input checked="" type="checkbox"/> No <input type="checkbox"/></span>	
If Yes, Provide basis: (attach)	
<b>6</b> Would on-site infiltration or reduction of runoff over pre-developed conditions be partially or fully inconsistent with watershed management strategies as defined in the WAP, or impair beneficial uses? <span style="float: right;">Yes <input type="checkbox"/> No <input checked="" type="checkbox"/></span>	<i>See Section 3.5 of the TGD for WQMP and WAP</i>
If Yes, Provide basis: (attach)	
<b>7</b> Any answer from Item 1 through Item 3 is "Yes": Yes <input type="checkbox"/> No <input checked="" type="checkbox"/> <i>If yes, infiltration of any volume is not feasible onsite. Proceed to Form 4.3-4, Harvest and Use BMP. If no, then proceed to Item 9 below.</i>	
<b>8</b> Any answer from Item 4 through Item 6 is "Yes": Yes <input checked="" type="checkbox"/> No <input type="checkbox"/> <i>If yes, infiltration is permissible but is not required to be considered. Proceed to Form 4.3-2, Hydrologic Source Control BMP. If no, then proceed to Item 9, below.</i>	
<b>9</b> All answers to Item 1 through Item 6 are "No": <i>Infiltration of the full DCV is potentially feasible, LID infiltration BMP must be designed to infiltrate the full DCV to the MEP. Proceed to Form 4.3-2, Hydrologic Source Control BMP.</i>	

### 4.3.1 Site Design Hydrologic Source Control BMP

Section XI.E. of the Permit emphasizes the use of LID preventative measures; and the use of LID HSC BMPs reduces the portion of the DCV that must be addressed in downstream BMPs. Therefore, all applicable HSC shall be provided except where they are mutually exclusive with each other, or with other BMPs. Mutual exclusivity may result from overlapping BMP footprints such that either would be potentially feasible by itself, but both could not be implemented. Please note that while there are no numeric standards regarding the use of HSC, if a project cannot feasibly meet BMP sizing requirements or cannot fully address HCOCs, feasibility of all applicable HSC must be part of demonstrating that the BMP system has been designed to retain the maximum feasible portion of the DCV. Complete Form 4.3-2 to identify and calculate estimated retention volume from implementing site design HSC BMP. Refer to Section 5.4.1 in the TGD for more detailed guidance.

<b>Form 4.3-2 Site Design Hydrologic Source Control BMPs (DA 1)</b>			
<b>1</b> Implementation of Impervious Area Dispersion BMP (i.e. routing runoff from impervious to pervious areas), excluding impervious areas planned for routing to on-lot infiltration BMP: Yes <input type="checkbox"/> No <input checked="" type="checkbox"/> <i>If yes, complete Items 2-5; If no, proceed to Item 6</i>	DA DMA BMP Type	DA DMA BMP Type	DA DMA BMP Type <i>(Use additional forms for more BMPs)</i>
<b>2</b> Total impervious area draining to pervious area (ft <sup>2</sup> )			
<b>3</b> Ratio of pervious area receiving runoff to impervious area			
<b>4</b> Retention volume achieved from impervious area dispersion (ft <sup>3</sup> ) $V = \text{Item 2} * \text{Item 3} * (0.5/12)$ , assuming retention of 0.5 inches of runoff			
<b>5</b> Sum of retention volume achieved from impervious area dispersion (ft <sup>3</sup> ):		$V_{\text{retention}} = \text{Sum of Item 4 for all BMPs}$	
<b>6</b> Implementation of Localized On-lot Infiltration BMPs (e.g. on-lot rain gardens): Yes <input type="checkbox"/> No <input checked="" type="checkbox"/> <i>If yes, complete Items 7-13 for aggregate of all on-lot infiltration BMP in each DA; If no, proceed to Item 14</i>	DA DMA BMP Type	DA DMA BMP Type	DA DMA BMP Type <i>(Use additional forms for more BMPs)</i>
<b>7</b> Ponding surface area (ft <sup>2</sup> )			
<b>8</b> Ponding depth (ft)			
<b>9</b> Surface area of amended soil/gravel (ft <sup>2</sup> )			
<b>10</b> Average depth of amended soil/gravel (ft)			
<b>11</b> Average porosity of amended soil/gravel			
<b>12</b> Retention volume achieved from on-lot infiltration (ft <sup>3</sup> ) $V_{\text{retention}} = (\text{Item 7} * \text{Item 8}) + (\text{Item 9} * \text{Item 10} * \text{Item 11})$			
<b>13</b> Runoff volume retention from on-lot infiltration (ft <sup>3</sup> ):		$V_{\text{retention}} = \text{Sum of Item 12 for all BMPs}$	

<b>Form 4.3-2 cont. Site Design Hydrologic Source Control BMPs (DA 1)</b>			
<b>14</b> Implementation of evapotranspiration BMP (green, brown, or blue roofs): Yes <input type="checkbox"/> No <input checked="" type="checkbox"/> <i>If yes, complete Items 15-20. If no, proceed to Item 21</i>	DA    DMA BMP Type	DA    DMA BMP Type	DA    DMA BMP Type <i>(Use additional forms for more BMPs)</i>
<b>15</b> Rooftop area planned for ET BMP (ft <sup>2</sup> )			
<b>16</b> Average wet season ET demand (in/day) <i>Use local values, typical ~ 0.1</i>			
<b>17</b> Daily ET demand (ft <sup>3</sup> /day) <i>Item 15 * (Item 16 / 12)</i>			
<b>18</b> Drawdown time (hrs) <i>Copy Item 6 in Form 4.2-1</i>			
<b>19</b> Retention Volume (ft <sup>3</sup> ) <i>V<sub>retention</sub> = Item 17 * (Item 18 / 24)</i>			
<b>20</b> Runoff volume retention from evapotranspiration BMPs (ft <sup>3</sup> ): <span style="float: right;"><i>V<sub>retention</sub> = Sum of Item 19 for all BMPs</i></span>			
<b>21</b> Implementation of Street Trees: Yes <input type="checkbox"/> No <input checked="" type="checkbox"/> <i>If yes, complete Items 20-2. If no, proceed to Item 24</i>	DA    DMA BMP Type	DA    DMA BMP Type	DA    DMA BMP Type <i>(Use additional forms for more BMPs)</i>
<b>22</b> Number of Street Trees			
<b>23</b> Average canopy cover over impervious area (ft <sup>2</sup> )			
<b>24</b> Runoff volume retention from street trees (ft <sup>3</sup> ) <i>V<sub>retention</sub> = Item 22 * Item 23 * (0.05/12) assume runoff retention of 0.05 inches</i>			
<b>25</b> Runoff volume retention from street tree BMPs (ft <sup>3</sup> ): <span style="float: right;"><i>V<sub>retention</sub> = Sum of Item 24 for all BMPs</i></span>			
<b>26</b> Implementation of residential rain barrels/cisterns: Yes <input type="checkbox"/> No <input checked="" type="checkbox"/> <i>If yes, complete Items 27-28; If no, proceed to Item 29</i>	DA    DMA BMP Type	DA    DMA BMP Type	DA    DMA BMP Type <i>(Use additional forms for more BMPs)</i>
<b>27</b> Number of rain barrels/cisterns			
<b>28</b> Runoff volume retention from rain barrels/cisterns (ft <sup>3</sup> ) <i>V<sub>retention</sub> = Item 27 * 3</i>			
<b>29</b> Runoff volume retention from residential rain barrels/Cisterns (ft <sup>3</sup> ): <span style="float: right;"><i>V<sub>retention</sub> = Sum of Item 28 for all BMPs</i></span>			
<b>30</b> Total Retention Volume from Site Design Hydrologic Source Control BMPs: <span style="float: right;"><i>Sum of Items 5, 13, 20, 25 and 29</i></span>			

### 4.3.2 Infiltration BMPs

Use Form 4.3-3 to compute on-site retention of runoff from proposed retention and infiltration BMPs. Volume retention estimates are sensitive to the percolation rate used, which determines the amount of runoff that can be infiltrated within the specified drawdown time. The infiltration safety factor reduces field measured percolation to account for potential inaccuracy associated with field measurements, declining BMP performance over time, and compaction during construction. Appendix D of the TGD for WQMP provides guidance on estimating an appropriate safety factor to use in Form 4.3-3.

If site constraints limit the use of BMPs to a single type and implementation of retention and infiltration BMPs mitigate no more than 40% of the DCV, then they are considered infeasible and the Project Proponent may evaluate the effectiveness of BMPs lower in the LID hierarchy of use (Section 5.5.1 of the TGD for WQMP)

If implementation of infiltrations BMPs is feasible as determined using Form 4.3-1, then LID infiltration BMPs shall be implemented to the MEP (section 4.1 of the TGD for WQMP).

Water Quality Management Plan (WQMP)

**Form 4.3-3 Infiltration LID BMP - including underground BMPs (DA 1)**

**1** Remaining LID DCV not met by site design HSC BMP (ft<sup>3</sup>): 4,937  $V_{unmet} = \text{Form 4.2-1 Item 7} - \text{Form 4.3-2 Item 30}$

BMP Type Use columns to the right to compute runoff volume retention from proposed infiltration BMP (select BMP from Table 5-4 in TGD for WQMP) - Use additional forms for more BMPs	DA DMA BMP Type	DA DMA BMP Type	DA DMA BMP Type (Use additional forms for more BMPs)
--	-----------------	-----------------	--

**2** Infiltration rate of underlying soils (in/hr) See Section 5.4.2 and Appendix D of the TGD for WQMP for minimum requirements for assessment methods

0.30

**3** Infiltration safety factor See TGD Section 5.4.2 and Appendix D

2

**4** Design percolation rate (in/hr)  $P_{design} = \text{Item 2} / \text{Item 3}$

0.15

**5** Ponded water drawdown time (hr) Copy Item 6 in Form 4.2-1

48

**6** Maximum ponding depth (ft) BMP specific, see Table 5-4 of the TGD for WQMP for BMP design details

5

**7** Ponding Depth (ft)  $d_{BMP} = \text{Minimum of } (1/12 * \text{Item 4} * \text{Item 5}) \text{ or Item 6}$

5

**8** Infiltrating surface area,  $SA_{BMP}$  (ft<sup>2</sup>) the lesser of the area needed for infiltration of full DCV or minimum space requirements from Table 5.7 of the TGD for WQMP

1,079

**9** Amended soil depth,  $d_{media}$  (ft) Only included in certain BMP types, see Table 5-4 in the TGD for WQMP for reference to BMP design details

**10** Amended soil porosity

**11** Gravel depth,  $d_{media}$  (ft) Only included in certain BMP types, see Table 5-4 of the TGD for WQMP for BMP design details

**12** Gravel porosity

**13** Duration of storm as basin is filling (hrs) Typical ~ 3hrs

3

**14** Above Ground Retention Volume (ft<sup>3</sup>)  $V_{retention} = \text{Item 8} * [\text{Item 7} + (\text{Item 9} * \text{Item 10}) + (\text{Item 11} * \text{Item 12}) + (\text{Item 13} * (\text{Item 4} / 12))]$

**15** Underground Retention Volume (ft<sup>3</sup>) Volume determined using manufacturer's specifications and calculations

4,958 (MH & pipe)  
4,935

**16** Total Retention Volume from LID Infiltration BMPs: 4,958 (Sum of Items 14 and 15 for all infiltration BMP included in plan)

**17** Fraction of DCV achieved with infiltration BMP: 100%  $\text{Retention\%} = \text{Item 16} / \text{Form 4.2-1 Item 7}$

**18** Is full LID DCV retained on-site with combination of hydrologic source control and LID retention and infiltration BMPs? Yes  No   
If yes, demonstrate conformance using Form 4.3-10; if no, then reduce Item 3, Factor of Safety to 2.0 and increase Item 8, Infiltrating Surface Area, such that the portion of the site area used for retention and infiltration BMPs equals or exceeds the minimum effective area thresholds (Table 5-7 of the TGD for WQMP) for the applicable category of development and repeat all above calculations.

Provide manufactures sizing spreadsheet for chamber area dimensioning as well as sizing.

Does not match calcs on exhibit. Provide additional chambers as well as the manufacturers excel spreadsheet for proper sizing.

Verify provide additional chambers



### 4.3.3 Harvest and Use BMP

Harvest and use BMP may be considered if the full LID DCV cannot be met by maximizing infiltration BMPs. Use Form 4.3-4 to compute on-site retention of runoff from proposed harvest and use BMPs.

Volume retention estimates for harvest and use BMPs are sensitive to the on-site demand for captured stormwater. Since irrigation water demand is low in the wet season, when most rainfall events occur in San Bernardino County, the volume of water that can be used within a specified drawdown period is relatively low. The bottom portion of Form 4.3-4 facilitates the necessary computations to show infeasibility if a minimum incremental benefit of 40 percent of the LID DCV would not be achievable with MEP implementation of on-site harvest and use of stormwater (Section 5.5.4 of the TGD for WQMP).

<b>Form 4.3-4 Harvest and Use BMPs (DA 1)</b>			
<b>1</b> Remaining LID DCV not met by site design HSC or infiltration BMP (ft <sup>3</sup> ): N/A <i>V<sub>unmet</sub> = Form 4.2-1 Item 7 - Form 4.3-2 Item 30 - Form 4.3-3 Item 16</i>			
BMP Type(s) <i>Compute runoff volume retention from proposed harvest and use BMP (Select BMPs from Table 5-4 of the TGD for WQMP) - Use additional forms for more BMPs</i>	DA    DMA BMP Type	DA    DMA BMP Type	DA    DMA BMP Type <i>(Use additional forms for more BMPs)</i>
<b>2</b> Describe cistern or runoff detention facility			
<b>3</b> Storage volume for proposed detention type (ft <sup>3</sup> ) <i>Volume of cistern</i>			
<b>4</b> Landscaped area planned for use of harvested stormwater (ft <sup>2</sup> )			
<b>5</b> Average wet season daily irrigation demand (in/day) <i>Use local values, typical ~ 0.1 in/day</i>			
<b>6</b> Daily water demand (ft <sup>3</sup> /day) <i>Item 4 * (Item 5 / 12)</i>			
<b>7</b> Drawdown time (hrs) <i>Copy Item 6 from Form 4.2-1</i>			
<b>8</b> Retention Volume (ft <sup>3</sup> ) <i>V<sub>retention</sub> = Minimum of (Item 3) or (Item 6 * (Item 7 / 24))</i>			
<b>9</b> Total Retention Volume (ft <sup>3</sup> ) from Harvest and Use BMP <i>Sum of Item 8 for all harvest and use BMP included in plan</i>			
<hr style="border-top: 1px dashed black;"/> <b>10</b> Is the full DCV retained with a combination of LID HSC, retention and infiltration, and harvest and use BMPs? Yes <input type="checkbox"/> No <input type="checkbox"/> <i>If yes, demonstrate conformance using Form 4.3-10. If no, then re-evaluate combinations of all LID BMP and optimize their implementation such that the maximum portion of the DCV is retained on-site (using a single BMP type or combination of BMP types). If the full DCV cannot be mitigated after this optimization process, proceed to Section 4.3.4.</i>			

### 4.3.4 Biotreatment BMP

Biotreatment BMPs may be considered if the full LID DCV cannot be met by maximizing retention and infiltration, and harvest and use BMPs. A key consideration when using biotreatment BMP is the effectiveness of the proposed BMP in addressing the pollutants of concern for the project (see Table 5-5 of the TGD for WQMP).

Use Form 4.3-5 to summarize the potential for volume based and/or flow based biotreatment options to biotreat the remaining unmet LID DCV w. Biotreatment computations are included as follows:

- Use Form 4.3-6 to compute biotreatment in small volume based biotreatment BMP (e.g. bioretention w/underdrains);
- Use Form 4.3-7 to compute biotreatment in large volume based biotreatment BMP (e.g. constructed wetlands);
- Use Form 4.3-8 to compute sizing criteria for flow-based biotreatment BMP (e.g. bioswales)

<b>Form 4.3-5 Selection and Evaluation of Biotreatment BMP (DA 1)</b>		
<b>1</b> Remaining LID DCV not met by site design HSC, infiltration, or harvest and use BMP for potential biotreatment (ft <sup>3</sup> ): <i>Form 4.2-1 Item 7 - Form 4.3-2 Item 30 – Form 4.3-3 Item 16- Form 4.3-4 Item 9</i>	List pollutants of concern <i>Copy from Form 2.3-1.</i>	
<b>2</b> Biotreatment BMP Selected <i>(Select biotreatment BMP(s) necessary to ensure all pollutants of concern are addressed through Unit Operations and Processes, described in Table 5-5 of the TGD for WQMP)</i>	Volume-based biotreatment <i>Use Forms 4.3-6 and 4.3-7 to compute treated volume</i> <input type="checkbox"/> Bioretention with underdrain <input type="checkbox"/> Planter box with underdrain <input type="checkbox"/> Constructed wetlands <input type="checkbox"/> Wet extended detention <input type="checkbox"/> Dry extended detention	Flow-based biotreatment <i>Use Form 4.3-8 to compute treated volume</i> <input type="checkbox"/> Vegetated swale <input type="checkbox"/> Vegetated filter strip <input type="checkbox"/> Proprietary biotreatment
<b>3</b> Volume biotreated in volume based biotreatment BMP (ft <sup>3</sup> ): <i>Form 4.3-6 Item 15 + Form 4.3-7 Item 13</i>	<b>4</b> Compute remaining LID DCV with implementation of volume based biotreatment BMP (ft <sup>3</sup> ): <i>Item 1 – Item 3</i>	<b>5</b> Remaining fraction of LID DCV for sizing flow based biotreatment BMP: % <i>Item 4 / Item 1</i>
<b>6</b> Flow-based biotreatment BMP capacity provided (cfs): <i>Use Figure 5-2 of the TGD for WQMP to determine flow capacity required to provide biotreatment of remaining percentage of unmet LID DCV (Item 5), for the project’s precipitation zone (Form 3-1 Item 1)</i>		
<b>7</b> Metrics for MEP determination: <ul style="list-style-type: none"> <li>• Provided a WQMP with the portion of site area used for suite of LID BMP equal to minimum thresholds in Table 5-7 of the TGD for WQMP for the proposed category of development: <input type="checkbox"/> <i>If maximized on-site retention BMPs is feasible for partial capture, then LID BMP implementation must be optimized to retain and infiltrate the maximum portion of the DCV possible within the prescribed minimum effective area. The remaining portion of the DCV shall then be mitigated using biotreatment BMP.</i></li> </ul>		

<b>Form 4.3-6 Volume Based Biotreatment (DA 1) – Bioretention and Planter Boxes with Underdrains</b>			
Biotreatment BMP Type <i>(Bioretention w/underdrain, planter box w/underdrain, other comparable BMP)</i>	DA    DMA BMP Type	DA    DMA BMP Type	DA    DMA BMP Type <i>(Use additional forms for more BMPs)</i>
<b>1</b> Pollutants addressed with BMP <i>List all pollutant of concern that will be effectively reduced through specific Unit Operations and Processes described in Table 5-5 of the TGD for WQMP</i>			
<b>2</b> Amended soil infiltration rate <i>Typical ~ 5.0</i>			
<b>3</b> Amended soil infiltration safety factor <i>Typical ~ 2.0</i>			
<b>4</b> Amended soil design percolation rate (in/hr) $P_{design} = \text{Item 2} / \text{Item 3}$			
<b>5</b> Ponded water drawdown time (hr) <i>Copy Item 6 from Form 4.2-1</i>			
<b>6</b> Maximum ponding depth (ft) <i>see Table 5-6 of the TGD for WQMP for reference to BMP design details</i>			
<b>7</b> Ponding Depth (ft) $d_{BMP} = \text{Minimum of } (1/12 * \text{Item 4} * \text{Item 5}) \text{ or Item 6}$			
<b>8</b> Amended soil surface area (ft <sup>2</sup> )			
<b>9</b> Amended soil depth (ft) <i>see Table 5-6 of the TGD for WQMP for reference to BMP design details</i>			
<b>10</b> Amended soil porosity, <i>n</i>			
<b>11</b> Gravel depth (ft) <i>see Table 5-6 of the TGD for WQMP for reference to BMP design details</i>			
<b>12</b> Gravel porosity, <i>n</i>			
<b>13</b> Duration of storm as basin is filling (hrs) <i>Typical ~ 3hrs</i>			
<b>14</b> Biotreated Volume (ft <sup>3</sup> ) $V_{biotreated} = \text{Item 8} * [( \text{Item 7} / 2 ) + ( \text{Item 9} * \text{Item 10} ) + ( \text{Item 11} * \text{Item 12} ) + ( \text{Item 13} * ( \text{Item 4} / 12 ) )]$			
<b>15</b> Total biotreated volume from bioretention and/or planter box with underdrains BMP: <i>Sum of Item 14 for all volume-based BMPs included in this form</i>			

### Form 4.3-7 Volume Based Biotreatment (DA 1) – Constructed Wetlands and Extended Detention

Biotreatment BMP Type <i>Constructed wetlands, extended wet detention, extended dry detention, or other comparable proprietary BMP. If BMP includes multiple modules (e.g. forebay and main basin), provide separate estimates for storage and pollutants treated in each module.</i>	DA    DMA BMP Type		DA    DMA BMP Type <i>(Use additional forms for more BMPs)</i>	
	Forebay	Basin	Forebay	Basin
<b>1</b> Pollutants addressed with BMP forebay and basin <i>List all pollutant of concern that will be effectively reduced through specific Unit Operations and Processes described in Table 5-5 of the TGD for WQMP</i>				
<b>2</b> Bottom width (ft)				
<b>3</b> Bottom length (ft)				
<b>4</b> Bottom area (ft <sup>2</sup> ) <i>A<sub>bottom</sub> = Item 2 * Item 3</i>				
<b>5</b> Side slope (ft/ft)				
<b>6</b> Depth of storage (ft)				
<b>7</b> Water surface area (ft <sup>2</sup> ) <i>A<sub>surface</sub> = (Item 2 + (2 * Item 5 * Item 6)) * (Item 3 + (2 * Item 5 * Item 6))</i>				
<b>8</b> Storage volume (ft <sup>3</sup> ) <i>For BMP with a forebay, ensure fraction of total storage is within ranges specified in BMP specific fact sheets, see Table 5-6 of the TGD for WQMP for reference to BMP design details</i> <i>V = Item 6 / 3 * [Item 4 + Item 7 + (Item 4 * Item 7)<sup>0.5</sup>]</i>				
<b>9</b> Drawdown Time (hrs) <i>Copy Item 6 from Form 2.1</i>				
<b>10</b> Outflow rate (cfs) <i>Q<sub>BMP</sub> = (Item 8<sub>forebay</sub> + Item 8<sub>basin</sub>) / (Item 9 * 3600)</i>				
<b>11</b> Duration of design storm event (hrs)				
<b>12</b> Biotreated Volume (ft <sup>3</sup> ) <i>V<sub>biotreated</sub> = (Item 8<sub>forebay</sub> + Item 8<sub>basin</sub>) + (Item 10 * Item 11 * 3600)</i>				
<b>13</b> Total biotreated volume from constructed wetlands, extended dry detention, or extended wet detention : <i>(Sum of Item 12 for all BMP included in plan)</i>				

<b>Form 4.3-8 Flow Based Biotreatment (DA 1)</b>			
Biotreatment BMP Type <i>Vegetated swale, vegetated filter strip, or other comparable proprietary BMP</i>	DA    DMA BMP Type	DA    DMA BMP Type	DA    DMA BMP Type <i>(Use additional forms for more BMPs)</i>
<b>1</b> Pollutants addressed with BMP <i>List all pollutant of concern that will be effectively reduced through specific Unit Operations and Processes described in TGD Table 5-5</i>			
<b>2</b> Flow depth for water quality treatment (ft) <i>BMP specific, see Table 5-6 of the TGD for WQMP for reference to BMP design details</i>			
<b>3</b> Bed slope (ft/ft) <i>BMP specific, see Table 5-6 of the TGD for WQMP for reference to BMP design details</i>			
<b>4</b> Manning's roughness coefficient			
<b>5</b> Bottom width (ft) <i><math>b_w = (\text{Form 4.3-5 Item 6} * \text{Item 4}) / (1.49 * \text{Item 2}^{1.67} * \text{Item 3}^{0.5})</math></i>			
<b>6</b> Side Slope (ft/ft) <i>BMP specific, see Table 5-6 of the TGD for WQMP for reference to BMP design details</i>			
<b>7</b> Cross sectional area (ft <sup>2</sup> ) <i><math>A = (\text{Item 5} * \text{Item 2}) + (\text{Item 6} * \text{Item 2}^2)</math></i>			
<b>8</b> Water quality flow velocity (ft/sec) <i><math>V = \text{Form 4.3-5 Item 6} / \text{Item 7}</math></i>			
<b>9</b> Hydraulic residence time (min) <i>Pollutant specific, see Table 5-6 of the TGD for WQMP for reference to BMP design details</i>			
<b>10</b> Length of flow based BMP (ft) <i><math>L = \text{Item 8} * \text{Item 9} * 60</math></i>			
<b>11</b> Water surface area at water quality flow depth (ft <sup>2</sup> ) <i><math>SA_{top} = (\text{Item 5} + (2 * \text{Item 2} * \text{Item 6})) * \text{Item 10}</math></i>			

### 4.3.5 Conformance Summary

Complete Form 4.3-9 to demonstrate how on-site LID DCV is met with proposed site design hydrologic source control, infiltration, harvest and use, and/or biotreatment BMP. The bottom line of the form is used to describe the basis for infeasibility determination for on-site LID BMP to achieve full LID DCV, and provides methods for computing remaining volume to be addressed in an alternative compliance plan. If the project has more than one outlet, then complete additional versions of this form for each outlet.

<b>Form 4.3-9 Conformance Summary and Alternative Compliance Volume Estimate (DA 1)</b>	
<b>1</b>	Total LID DCV for the Project DA-1 (ft <sup>3</sup> ): 4,937 <i>Copy Item 7 in Form 4.2-1</i>
<b>2</b>	On-site retention with site design hydrologic source control LID BMP (ft <sup>3</sup> ): 0 <i>Copy Item 30 in Form 4.3-2</i>
<b>3</b>	On-site retention with LID infiltration BMP (ft <sup>3</sup> ): 4,958 <del><i>Copy Item 16 in Form 4.3-3</i></del> <span style="border: 1px solid red; padding: 2px; color: red; font-weight: bold;">Revise</span>
<b>4</b>	On-site retention with LID harvest and use BMP (ft <sup>3</sup> ): 0 <i>Copy Item 9 in Form 4.3-4</i>
<b>5</b>	On-site biotreatment with volume based biotreatment BMP (ft <sup>3</sup> ): 0 <i>Copy Item 3 in Form 4.3-5</i>
<b>6</b>	Flow capacity provided by flow based biotreatment BMP (cfs): 0 <i>Copy Item 6 in Form 4.3-5</i>
<b>7</b>	<p>LID BMP performance criteria are achieved if answer to any of the following is "Yes":</p> <ul style="list-style-type: none"> <li>• Full retention of LID DCV with site design HSC, infiltration, or harvest and use BMP: Yes <input checked="" type="checkbox"/> No <input type="checkbox"/> <i>If yes, sum of Items 2, 3, and 4 is greater than Item 1</i></li> <li>• Combination of on-site retention BMPs for a portion of the LID DCV and volume-based biotreatment BMP that address all pollutants of concern for the remaining LID DCV: Yes <input type="checkbox"/> No <input type="checkbox"/> <i>If yes, a) sum of Items 2, 3, 4, and 5 is greater than Item 1, and Items 2, 3 and 4 are maximized; or b) Item 6 is greater than Form 4.3-5 Item 6 and Items 2, 3 and 4 are maximized</i></li> <li>▪ On-site retention and infiltration is determined to be infeasible and biotreatment BMP provide biotreatment for all pollutants of concern for full LID DCV: Yes <input type="checkbox"/> No <input type="checkbox"/> <i>If yes, Form 4.3-1 Items 7 and 8 were both checked yes</i></li> </ul>
<b>8</b>	<p>If the LID DCV is not achieved by any of these means, then the project may be allowed to develop an alternative compliance plan. Check box that describes the scenario which caused the need for alternative compliance:</p> <ul style="list-style-type: none"> <li>• Combination of HSC, retention and infiltration, harvest and use, and biotreatment BMPs provide less than full LID DCV capture: <input type="checkbox"/> <i>Checked yes for Form 4.3-5 Item 7, Item 6 is zero, and sum of Items 2, 3, 4, and 5 is less than Item 1. If so, apply water quality credits and calculate volume for alternative compliance, <math>V_{alt} = (Item\ 1 - Item\ 2 - Item\ 3 - Item\ 4 - Item\ 5) * (100 - Form\ 2.4-1\ Item\ 2)\%</math></i></li> <li>• An approved Watershed Action Plan (WAP) demonstrates that water quality and hydrologic impacts of urbanization are more effective when managed in at an off-site facility: <input type="checkbox"/> <i>Attach appropriate WAP section, including technical documentation, showing effectiveness comparisons for the project site and regional watershed</i></li> </ul>

### 4.3.6 Hydromodification Control BMP

Use Form 4.3-10 to compute the remaining runoff volume retention, after LID BMP are implemented, needed to address HCOC, and the increase in time of concentration and decrease in peak runoff necessary to meet targets for protection of waterbodies with a potential HCOC. Describe hydromodification control BMP that address HCOC, which may include off-site BMP and/or in-stream controls. Section 5.6 of the TGD for WQMP provides additional details on selection and evaluation of hydromodification control BMP.

<b>Form 4.3-10 Hydromodification Control BMPs (DA 1)</b>	
<p><b>1</b> Volume reduction needed for HCOC performance criteria (ft<sup>3</sup>): -1,766 (Form 4.2-2 Item 4 * 0.95) – Form 4.2-2 Item 1</p>	<p><b>2</b> On-site retention with site design hydrologic source control, infiltration, and harvest and use LID BMP (ft<sup>3</sup>): 4,958 <i>Sum of Form 4.3-9 Items 2, 3, and 4 Evaluate option to increase implementation of on-site retention in Forms 4.3-2, 4.3-3, and 4.3-4 in excess of LID DCV toward achieving HCOC volume reduction</i></p>
<p><b>3</b> Remaining volume for HCOC volume capture (ft<sup>3</sup>): 0 <i>Item 1 – Item 2</i></p>	<p><b>4</b> Volume capture provided by incorporating additional on-site or off-site retention BMPs (ft<sup>3</sup>): 0 <i>Existing downstream BMP may be used to demonstrate additional volume capture (if so, attach to this WQMP a hydrologic analysis showing how the additional volume would be retained during a 2-yr storm event for the regional watershed)</i></p>
<p><b>5</b> If Item 4 is less than Item 3, incorporate in-stream controls on downstream waterbody segment to prevent impacts due to hydromodification <input type="checkbox"/> <i>Attach in-stream control BMP selection and evaluation to this WQMP</i></p>	
<p><b>6</b> Is Form 4.2-2 Item 11 less than or equal to 5%: Yes <input checked="" type="checkbox"/> No <input checked="" type="checkbox"/></p> <p><i>If yes, HCOC performance criteria is achieved. If no, select one or more mitigation options below:</i></p> <ul style="list-style-type: none"> <li>Demonstrate increase in time of concentration achieved by proposed LID site design, LID BMP, and additional on-site or off-site retention BMP <input checked="" type="checkbox"/> <i>BMP upstream of a waterbody segment with a potential HCOC may be used to demonstrate increased time of concentration through hydrograph attenuation (if so, show that the hydraulic residence time provided in BMP for a 2-year storm event is equal or greater than the addition time of concentration requirement in Form 4.2-4 Item 15)</i></li> <li>Increase time of concentration by preserving pre-developed flow path and/or increase travel time by reducing slope and increasing cross-sectional area and roughness for proposed on-site conveyance facilities <input type="checkbox"/></li> <li>Incorporate appropriate in-stream controls for downstream waterbody segment to prevent impacts due to hydromodification, in a plan approved and signed by a licensed engineer in the State of California <input type="checkbox"/></li> </ul>	
<p><b>7</b> Form 4.2-2 Item 12 less than or equal to 5%: Yes <input checked="" type="checkbox"/> No <input checked="" type="checkbox"/></p> <p><i>If yes, HCOC performance criteria is achieved. If no, select one or more mitigation options below:</i></p> <ul style="list-style-type: none"> <li>Demonstrate reduction in peak runoff achieved by proposed LID site design, LID BMPs, and additional on-site or off-site retention BMPs <input checked="" type="checkbox"/> <i>BMPs upstream of a waterbody segment with a potential HCOC may be used to demonstrate additional peak runoff reduction through hydrograph attenuation (if so, attach to this WQMP, a hydrograph analysis showing how the peak runoff would be reduced during a 2-yr storm event)</i></li> <li>Incorporate appropriate in-stream controls for downstream waterbody segment to prevent impacts due to hydromodification, in a plan approved and signed by a licensed engineer in the State of California <input type="checkbox"/></li> </ul>	

Revise

Revise and provide

## 4.4 Alternative Compliance Plan (if applicable)

Describe an alternative compliance plan (if applicable) for projects not fully able to infiltrate, harvest and use, or biotreat the DCV via on-site LID practices. A project proponent must develop an alternative compliance plan to address the remainder of the LID DCV. Depending on project type some projects may qualify for water quality credits that can be applied to reduce the DCV that must be treated prior to development of an alternative compliance plan (see Form 2.4-1, Water Quality Credits). Form 4.3-9 Item 8 includes instructions on how to apply water quality credits when computing the DCV that must be met through alternative compliance. Alternative compliance plans may include one or more of the following elements:

- On-site structural treatment control BMP - All treatment control BMP should be located as close to possible to the pollutant sources and should not be located within receiving waters;
- Off-site structural treatment control BMP - Pollutant removal should occur prior to discharge of runoff to receiving waters;
- Urban runoff fund or In-lieu program, if available

Depending upon the proposed alternative compliance plan, approval by the executive officer may or may not be required (see Section 6 of the TGD for WQMP).



## Section 5 Inspection and Maintenance Responsibility for Post Construction BMP

All BMP included as part of the project WQMP are required to be maintained through regular scheduled inspection and maintenance (refer to Section 8, Post Construction BMP Requirements, in the TGD for WQMP). Fully complete Form 5-1 summarizing all BMP included in the WQMP. Attach additional forms as needed. The WQMP shall also include a detailed Operation and Maintenance Plan for all BMP and may require a Maintenance Agreement (consult the jurisdiction's LIP). If a Maintenance Agreement is required, it must also be attached to the WQMP.

Form 5-1 BMP Inspection and Maintenance (use additional forms as necessary)			
BMP	Responsible Party(s)	Inspection/ Maintenance Activities Required	Minimum Frequency of Activities
N14	Owner	80% of drainage facilities inspected, cleaned & maintained on annual basis with 100% of facilities included in a two year period.	Annually
S1	Owner	Inspect stenciling and/or signs and perform necessary maintenance as required	Annually
S3	Owner	Inspect/clean trash enclosure and perform maintenance as required	Quarterly
S4	Owner	Inspect/adjust/maintain irrigation system	Monthly
S12	Owner	Inspect Hydro-carbon filter for replacement and clean fuel pad and spill containment are as needed	Semi-annually
N1	Owner	Owner will update educational materials annually.	Annually
S5	Owner	Owner to inspect and perform maintenance as needed on an annual basis.	Annually

## Section 6 WQMP Attachments

### 6.1. Site Plan and Drainage Plan

Include a site plan and drainage plan sheet set containing the following minimum information:

- Project location
- Site boundary
- Land uses and land covers, as applicable
- Suitability/feasibility constraints
- Structural Source Control BMP locations
- Site Design Hydrologic Source Control BMP locations
- LID BMP details
- Drainage delineations and flow information
- Drainage connections

### 6.2 Electronic Data Submittal

Minimum requirements include submittal of PDF exhibits in addition to hard copies. Format must not require specialized software to open. If the local jurisdiction requires specialized electronic document formats (as described in their local Local Implementation Plan), this section will describe the contents (e.g., layering, nomenclature, geo-referencing, etc.) of these documents so that they may be interpreted efficiently and accurately.

### 6.3 Post Construction

Attach all O&M Plans and Maintenance Agreements for BMP to the WQMP.

### 6.4 Other Supporting Documentation

- BMP Educational Materials
- Activity Restriction – C, C&R's & Lease Agreements

# StormTech MC-4500 Chamber

MC-4500 Chamber

Designed to meet the most stringent industry performance standards for superior structural integrity while providing designers with a cost-effective method to save valuable land and protect water resources. The StormTech system is designed primarily to be used under parking lots thus maximizing land usage for commercial and municipal applications.



## StormTech MC-4500 Chamber (not to scale)

### Nominal Chamber Specifications

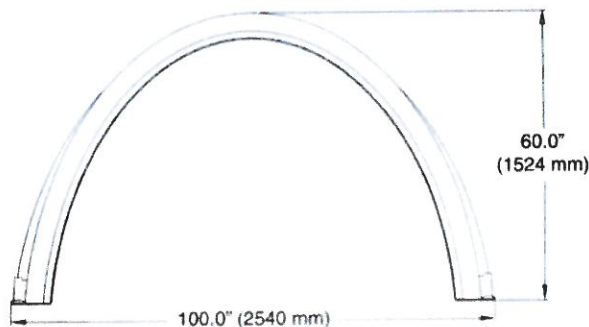
Size (L x W x H)	52" (1321 mm) x 100" (2540 mm) x 60" (1524 mm)
Chamber Storage	106.5 ft <sup>3</sup> (3.01 m <sup>3</sup> )
Min. Installed Storage*	162.6 ft <sup>3</sup> (4.60 m <sup>3</sup> )
Nominal Weight	120 lbs (54.4 kg)

\* This assumes a minimum of 12" (305 mm) of stone above, 9" (229 mm) of stone below chambers, 9" (229 mm) of stone between chambers/end caps and 40% stone porosity

### Shipping

8 chambers/pallet

11 pallets/truck

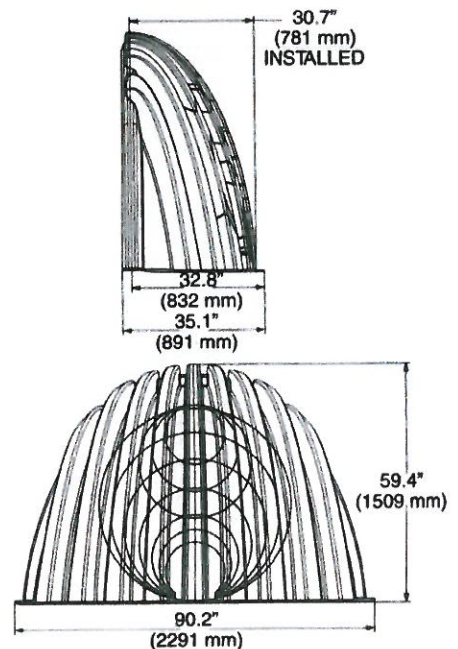
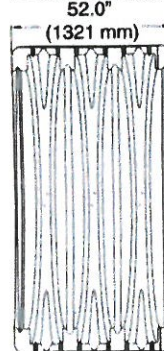


## StormTech MC-4500 End Cap (not to scale)

### Nominal End Cap Specifications

Size (L x W x H)	35.1" (891 mm) x 90.2" (2291 mm) x 59.4" (1509 mm)
End Cap Storage	35.7 ft <sup>3</sup> (1.01 m <sup>3</sup> )
Min. Installed Storage*	108.7 ft <sup>3</sup> (3.08 m <sup>3</sup> )
Nominal Weight	120 lbs (54.4 kg)

\* This assumes a minimum of 12" (305 mm) of stone above, 9" (229 mm) of stone below, 12" (305 mm) of stone perimeter, 9" (229 mm) of stone between chambers/end caps and 40% stone porosity



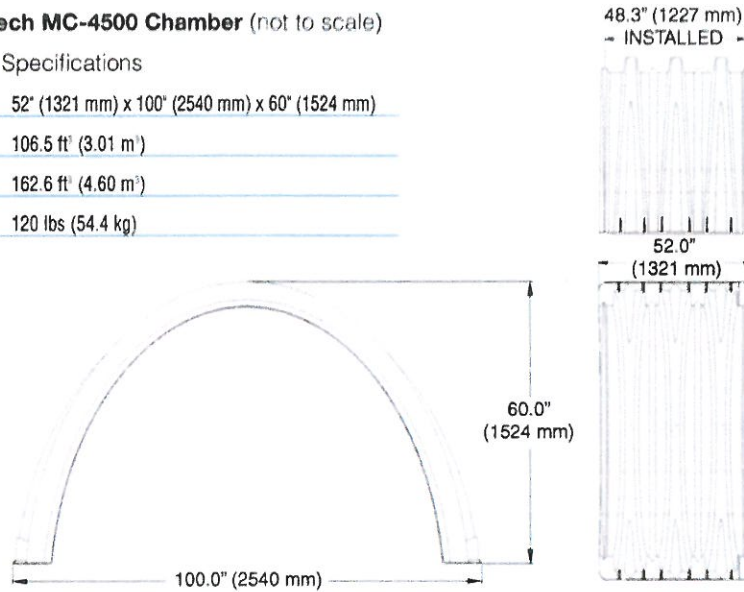
# 1.0 Product Information



**FIGURE 3 – StormTech MC-4500 Chamber** (not to scale)

Nominal Chamber Specifications

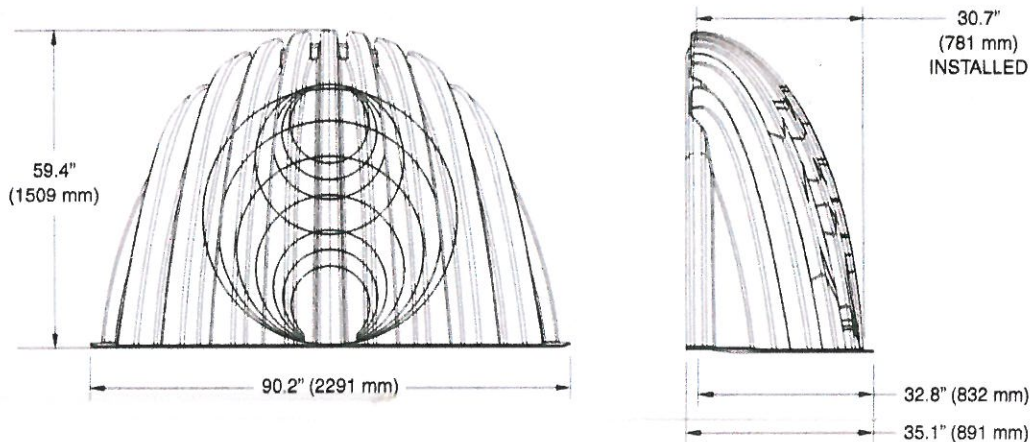
Size (L x W x H)	52" (1321 mm) x 100" (2540 mm) x 60" (1524 mm)
Chamber Storage	106.5 ft <sup>3</sup> (3.01 m <sup>3</sup> )
Min. Installed Storage*	162.6 ft <sup>3</sup> (4.60 m <sup>3</sup> )
Nominal Weight	120 lbs (54.4 kg)



**FIGURE 4 – StormTech MC-4500 End Cap** (not to scale)

Nominal End Cap Specifications

Size (L x W x H)	35.1" (891 mm) x 90.2" (2291 mm) x 59.4" (1509 mm)
End Cap Storage	35.7 ft <sup>3</sup> (1.01 m <sup>3</sup> )
Min. Installed Storage*	108.7 ft <sup>3</sup> (3.08 m <sup>3</sup> )
Nominal Weight	120 lbs (54.4 kg)



\* This assumes a minimum of 12" (305 mm) of stone above, 9" (229 mm) of stone below and 9" (229 mm) of stone between the chambers/end caps and 40% stone porosity. The end cap minimum installed storage also includes the stone storage located in the 12" (305 mm) stone perimeter.



**DRAINAGE IN LET WI STENCILING**

Call out all site control, source control and treatment BMPs utilized onsite.

Call out Hydro-Carbon Filter. Provide Detail

Provide Cross Section of Chamber system. Show dimensions of chamber system layout.

Call out all depressed landscape areas.

Not enough chambers for the required volume

**STREAM DRAIN INLET**  
**WI STENCILING**  
**UNDERGROUND**  
**DETENTION**  
**25 MC4500 CHAMBERS**  
**8 END CAPS**

**RETENTION VOLUME**  
**25 CHAMBERS:**  
 $V = 25 \times 162.6 \text{ ft}^3 = 4,065 \text{ cf}$   
**8 END CAPS:**  
 $V = 8 \times 10 \text{ ft} \times 7 \text{ ft}^3 = 560 \text{ cf}$   
**TOTAL:**  $4,065 + 560 = 4,625 \text{ cf}$

**PROPOSED PAVING**

**LEGAL DESCRIPTION:**  
 APN 031523117  
 LOT 1, BLOCK 1, SAN BERNARDINO COUNTY TRACT AS PER MAP RECORDED IN BOOK 23 OF MAPS, PAGE 44 IN THE OFFICE OF THE SAN BERNARDINO COUNTY RECORDER.

**STATISTICS:**  
 APN 031523117 3.99 AC  
 APN 031523117 1.51 AC

**SITE ADDRESS:**  
 STATE LANE  
 BEAIRIDGE CITY, CA 92514

**BENCHMARK:**  
 THE BANK OF AMERICA BANK  
 LOCATED APPROXIMATELY 200 FT  
 WEST OF THE SITE FROM THE CORNER  
 OF THE STATE LANE ON THE EAST SIDE OF STATE  
 HWY 38  
 ELEVATION = 6795.13

**PREPARED FOR:**  
 MARISA MARRA  
 10000 WILSON AVENUE  
 CARLSBAD, CA 92008

**RECORD OWNER:**  
 APN 031523117  
 C.E. JOHNSON AND DAUGHTERS  
 10000 WILSON AVENUE  
 CARLSBAD, CA 92008

**APN 031523117**  
 C.E. JOHNSON AND DAUGHTERS TRUSTEES AS TO PARCEL 1  
 OF THE JOHNSON FAMILY TRUST TRUSTED DATE  
 OF THE JOHNSON FAMILY TRUST AND C.E. JOHNSON AS TRUSTEE AS TO PARCEL 2



Know Your Neighbors  
 Call Before You Dig



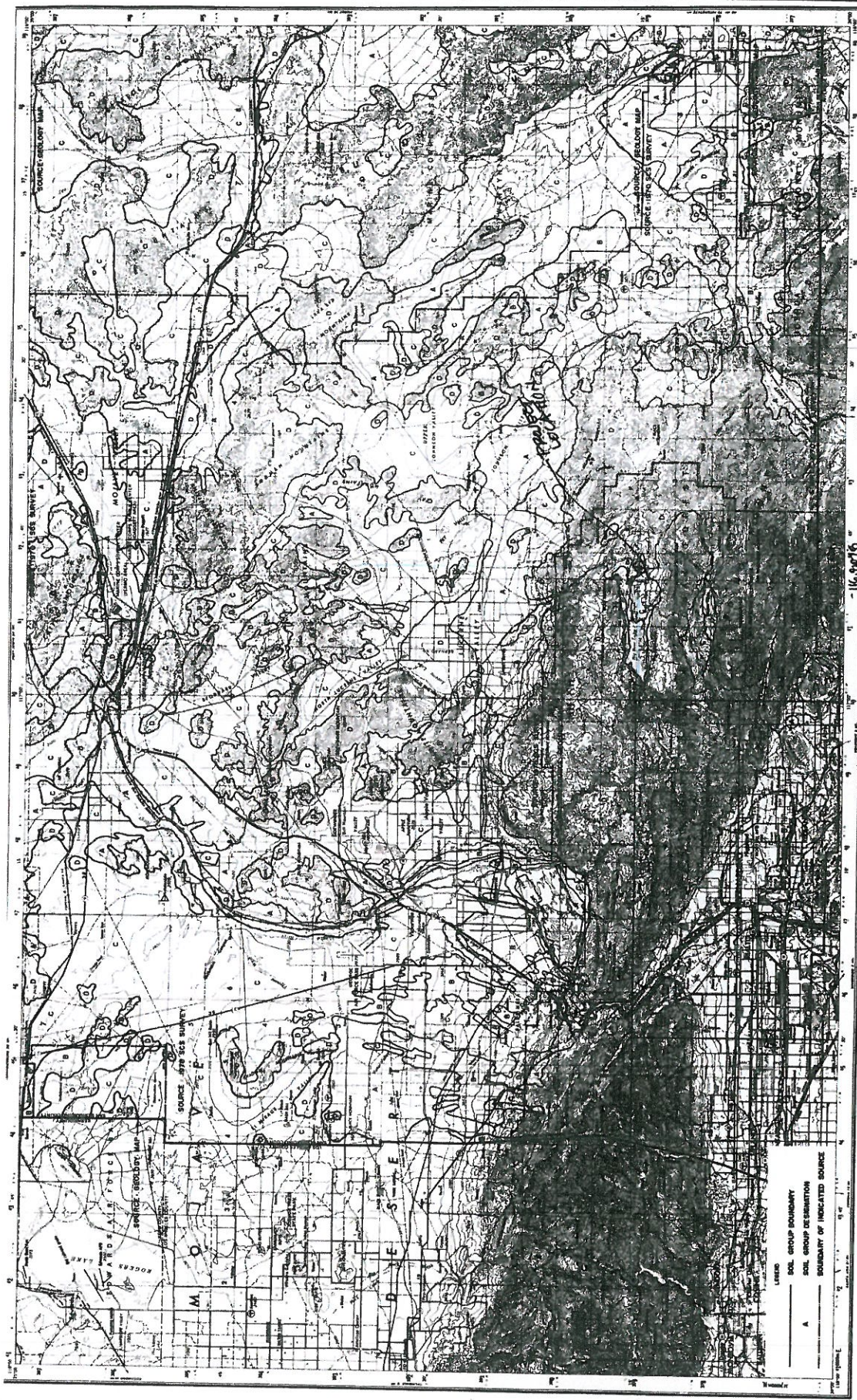
**HDM**  
 HIGH DESERT MAPPING  
 Land Surveying - Civil Design  
 1700 1/2 St. 100  
 Apple Valley, CA 92408  
 (760) 246-0000  
 dhdmapping@gmail.com

**W. Q. M. P. EXHIBIT**  
**CONCEPTUAL GRADING PLAN**  
 EAGLE RIDGE MARKET  
 BIG BEAR CITY, CA  
 APN 0315-231-17 &

EXISTING REFERENCE

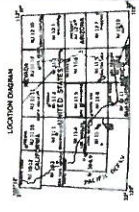
EXISTING REFERENCE

DATE



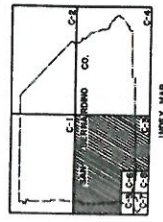
SOIL TYPE "C"

**HYDROLOGIC SOILS GROUP MAP  
FOR  
SOUTHCENTRAL AREA**



SCALE 1:250,000  
 WITH SUPPLEMENTARY CONTOURS AT 100 FOOT INTERVALS  
 TRANSVERSE MERCATOR PROJECTION

**SCALE REDUCED BY 1/2**



LOCATION: 34.2436 LAT  
 -116.8078 LONG  
**SAN BERNARDINO COUNTY**  
 HYDROLOGY MANUAL

34.2436