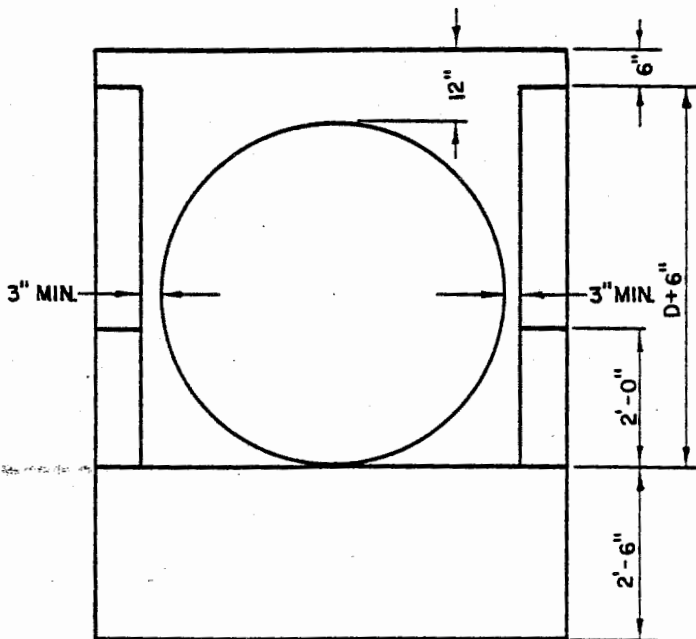


PLAN

DIMENSIONS		
PIPE DIAM.	L	W
24"	4'-0"	2'-6"
30"	4'-6"	3'-0"
36"	5'-0"	3'-8"
42"	5'-6"	4'-2"
48"	6'-0"	4'-10"
54"	6'-9"	5'-4"



ELEVATION

NOTES:

1. REINFORCING STEEL IN WALLS AND BASE SHALL BE THE SAME AS STD. NO. 209.
2. NOTES SHALL BE THE SAME AS STD. NO. 209.
3. SECTION A-A IS THE SAME AS STD. NO. 209.

SAN BERNARDINO COUNTY ROAD DEPARTMENT

DATE: 3.11.65

M. A. Nicholas
COUNTY ENGINEER

HEADWALL
'U'-TYPE

209A