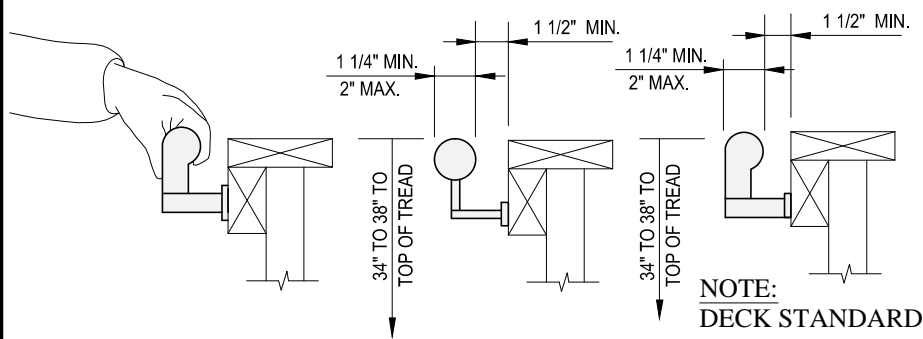
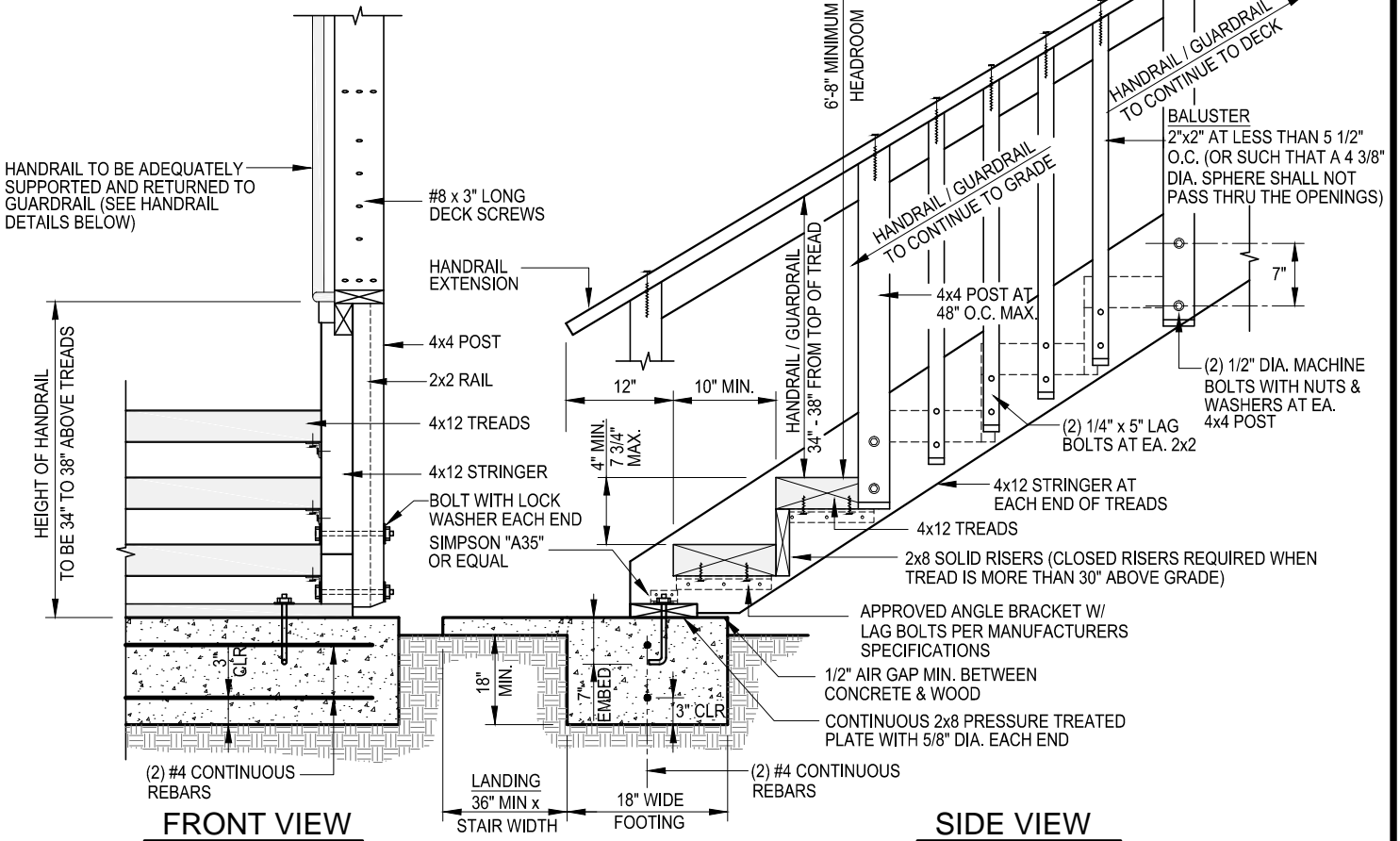




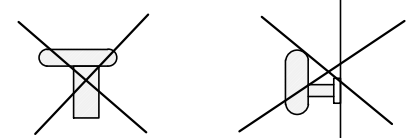
# OPTIONAL EXTERIOR STAIRWAY

**NOTES:**

1. THE TOLERANCE BETWEEN THE LARGEST AND SMALLEST TREAD DEPTH OR BETWEEN THE LARGEST AND SMALLEST RISER HEIGHT SHALL NOT EXCEED 3/8" IN THE STAIRWAY.
2. STAIRWAY WIDTH SHALL BE 36" MIN TO 48" MAX.
3. TREADS MUST HAVE APPROVED SLIP RESISTANT SURFACE.
4. ALTERNATE STAIRWAY DESIGNS MAY BE ACCEPTABLE PENDING BUILDING DEPARTMENT APPROVAL.
5. LIGHTING LEVEL AT ALL STAIR TREADS TO BE A MINIMUM OF 1 FOOT CANDLE.



NOTE: OTHER HANDRAIL SHAPES MAY BE ACCEPTABLE IF THEY PROVIDE AN EQUIVALENT GRIPPING SURFACE.




THESE HANDRAIL DESIGNS ARE NOT ACCEPTABLE

NOTE: DECK STANDARD NOT APPLICABLE FOR SPA OVER DECK CONDITIONS.

**DISCLAIMER:**

ALTERNATE DECK DESIGNS MAY BE POSSIBLE WHEN PROVIDED WITH AN ENGINEERED ANALYSIS. USE OF THIS STANDARD IS AT THE USER'S RISK AND CARRIES NO IMPLIED OR INFERRED GUARANTEE AGAINST FAILURE OR DEFECTS.

COUNTY OF SAN BERNARDINO	
 SAN BERNARDINO COUNTY	COUNTY OF SAN BERNARDINO Building & Safety Division
	385 N. Arrowhead Ave. San Bernardino, CA. 92415
(909) 387-8311	1/26/2017
PAGE 2 OF 2	